

iPlume

Inline Induced Flow
Laboratory Exhaust System

TECHNICAL SPECIFICATIONS



PENNBARRY™

BULLETIN vPlume20

TABLE OF CONTENTS

INTRODUCTION	3
CERTIFICATIONS & LISTINGS	4
DIMENSIONAL DRAWINGS	5-8
122 AIR PERFORMANCE	9
135 AIR PERFORMANCE	10
150 AIR PERFORMANCE	11
165 AIR PERFORMANCE	12
182 AIR PERFORMANCE	13
200 AIR PERFORMANCE	14
222 AIR PERFORMANCE	15
245 AIR PERFORMANCE	16
270 AIR PERFORMANCE	17
300 AIR PERFORMANCE	18
330 AIR PERFORMANCE	19
365 AIR PERFORMANCE	20
402 AIR PERFORMANCE	21
445 AIR PERFORMANCE	22
122 SOUND PERFORMANCE	23-24
135 SOUND PERFORMANCE	25-26
150 SOUND PERFORMANCE	27-28
165 SOUND PERFORMANCE	29-30
182 SOUND PERFORMANCE	31-32
200 SOUND PERFORMANCE	33-34
222 SOUND PERFORMANCE	35-36
245 SOUND PERFORMANCE	37-38
270 SOUND PERFORMANCE	39-40
300 SOUND PERFORMANCE	41-42
330 SOUND PERFORMANCE	43-44
365 SOUND PERFORMANCE	45-46
402 SOUND PERFORMANCE	47-48
445 SOUND PERFORMANCE	49-50

INTRODUCTION

iPlume

The iPlume is an induced flow laboratory exhaust system utilizing a mixed flow wheel that allows contaminated effluent to be discharged from the building in a safe and efficient manner while maintaining a clean roofline.

Features

- Mixed flow airfoil wheel
- Direct drive arrangement 4 or belt drive arrangement 9
- Induced flow windband
- Configurable in multiple fan arrangements with redundancy
- Isolation damper on slide out tray for ease of maintenance
- 125 mph wind load rating without guy wires
- Entrainment ratios up to 350%

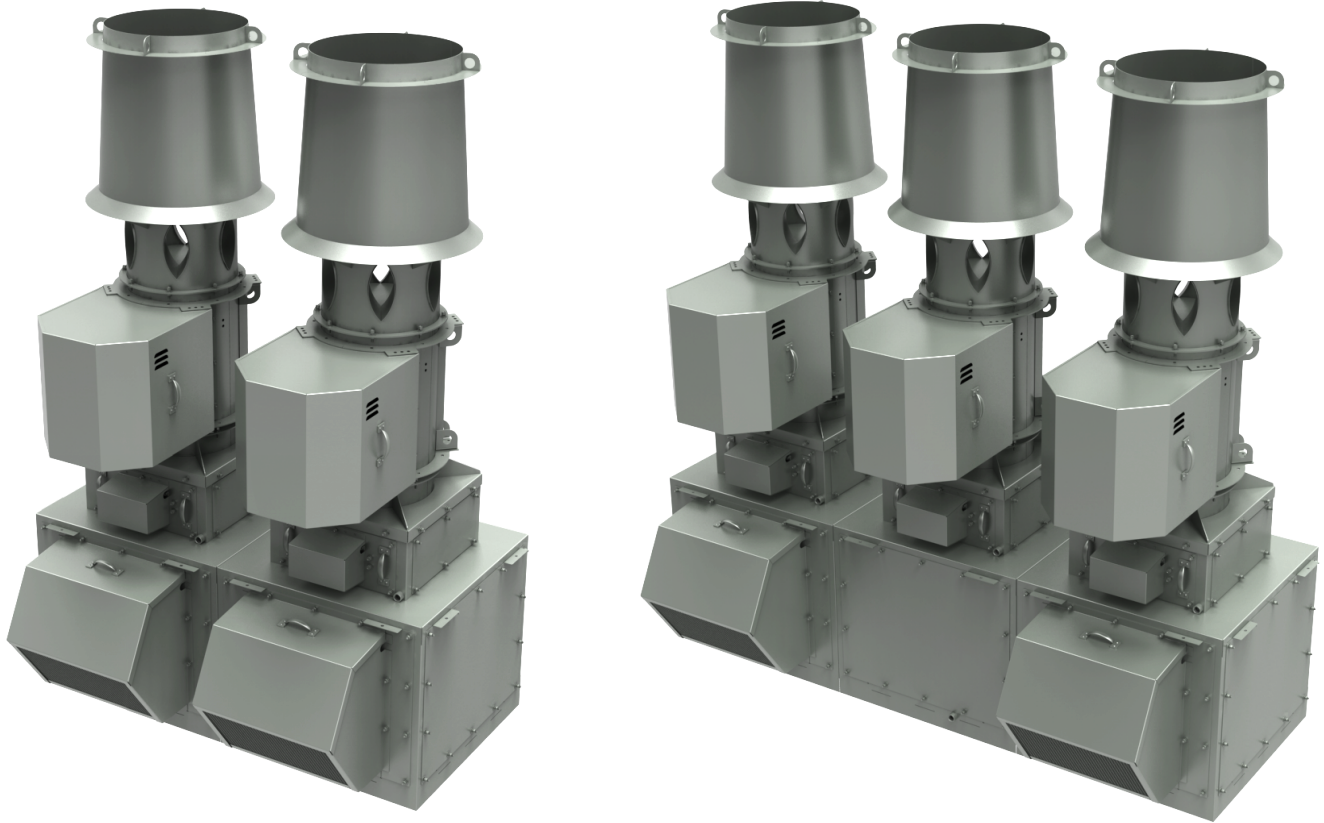


CERTIFICATIONS & LISTINGS



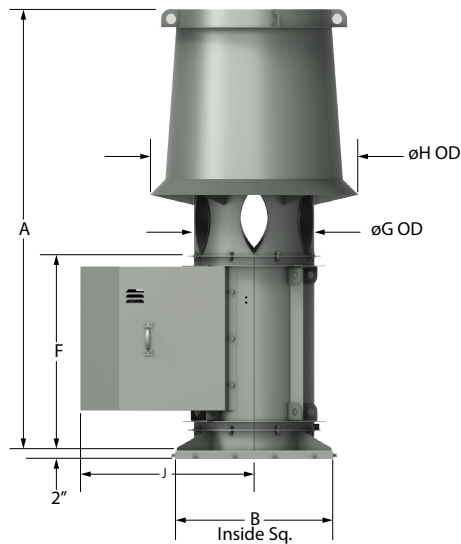
AMCA CERTIFICATION

PennBarry certifies that the iPlume belt and direct drive models shown herein are licensed to bear the AMCA seal. The ratings shown are based on tests and procedures performed in accordance with AMCA publication 211 and AMCA publication 311 and comply with the requirements of the AMCA Certified Ratings Program.



DIMENSIONAL DRAWINGS

1x1 No Plenum



DIMENSIONAL & WEIGHT DATA							
MODEL	A	B	F	G	H	J	WEIGHT* (LBS)
122	69 3/4	24 1/2	28 7/8	17 7/8	30 1/16	29 7/16	340
135	76 3/4	26 1/2	31 1/16	19 3/4	33 1/8	29 7/8	403
150	84 11/16	28 1/2	34 3/8	21 15/16	36 13/16	33 3/8	516
165	85 3/8	30 1/2	37 3/4	23 7/16	40 3/8	34 1/8	544
182	94 3/8	33 1/2	41 1/4	25 13/16	44 15/16	35 3/8	676
200	102 13/16	36 1/2	44 15/16	28 3/8	49 3/16	36 3/8	807
222	113 13/16	39 1/2	49 7/16	31 7/16	54 3/4	40	986
245	109 3/16	42 1/2	54 3/16	34 11/16	53 3/16	41 3/16	1071
270	119 13/16	45 1/2	59 5/16	38 3/16	59 1/16	45 1/2	1299
300	132 13/16	51 1/2	65 1/2	42 7/16	65 3/16	49 7/16	1649
330	145 13/16	55 1/2	71 3/4	46 3/8	72 1/8	51 3/16	1942
365	137 7/16	60 1/2	78 7/8	51 3/8	67 3/8	56 1/2	2386
402	150 13/16	66 1/2	86 1/2	56 11/16	74 3/16	59 1/8	2783
445	166 7/8	72 1/2	95 3/8	62 3/4	82 1/8	65 3/8	3354

All dimensions are in inches.

*Does not include weight for motor and drives.

A = Overall system height (without curb)

B = Width Of Curb Cap (Inside)

F = Height Of Fan

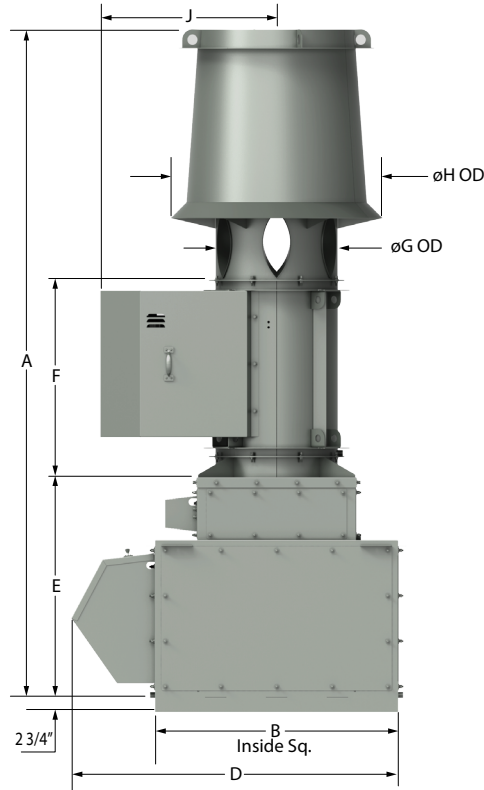
G = Dia. Of Nozzle

H = Dia. Of Windband Collar

J = Max. Weather Cover

DIMENSIONAL DRAWINGS

1x1 Plenum



DIMENSIONAL & WEIGHT DATA									
MODEL	A	B	D	E	F	G	H	J	WEIGHT* (LBS)
122	111 ¹³ / ₁₆	36 ⁵ / ₁₆	52 ⁹ / ₁₆	42	28 ⁷ / ₈	17 ⁷ / ₈	30 ¹ / ₁₆	29 ⁷ / ₁₆	872
135	118 ³ / ₄	39 ⁵ / ₁₆	55 ⁹ / ₁₆	42	31 ⁹ / ₁₆	19 ³ / ₄	33 ¹ / ₈	29 ⁷ / ₈	987
150	126 ³ / ₄	45 ⁵ / ₁₆	61 ⁹ / ₁₆	42	34 ⁵ / ₈	21 ¹⁵ / ₁₆	36 ¹³ / ₁₆	33 ³ / ₈	1154
165	127 ⁷ / ₈	46 ⁵ / ₁₆	62 ⁹ / ₁₆	42	37 ³ / ₄	23 ⁷ / ₁₆	40 ⁵ / ₈	34 ¹ / ₈	1213
182	142 ⁷ / ₁₆	53 ⁵ / ₁₆	71 ¹¹ / ₁₆	48	41 ¹ / ₄	25 ¹³ / ₁₆	44 ¹⁵ / ₁₆	35 ³ / ₈	1518
200	150 ¹³ / ₁₆	57 ⁵ / ₁₆	75 ³ / ₄	48	44 ¹⁵ / ₁₆	28 ³ / ₈	49 ³ / ₁₆	36 ³ / ₈	1592
222	161 ¹⁵ / ₁₆	61 ⁵ / ₁₆	79 ³ / ₄	48	49 ⁷ / ₁₆	31 ⁷ / ₁₆	54 ³ / ₄	40	1846
245	157 ¹ / ₄	62 ⁵ / ₁₆	80 ³ / ₄	48	54 ³ / ₁₆	34 ¹¹ / ₁₆	53 ⁹ / ₁₆	41 ⁹ / ₁₆	1939
270	167 ¹⁵ / ₁₆	65 ⁵ / ₁₆	83 ³ / ₄	48	59 ⁵ / ₁₆	38 ³ / ₁₆	59 ¹ / ₁₆	45 ¹ / ₂	2195
300	186 ⁷ / ₈	71 ⁵ / ₁₆	91 ⁷ / ₈	54	65 ¹ / ₂	42 ⁷ / ₁₆	65 ⁹ / ₁₆	49 ⁷ / ₁₆	2714
330	200 ¹ / ₁₆	78 ¹ / ₄	98 ¹³ / ₁₆	54	71 ³ / ₄	46 ⁵ / ₈	72 ¹ / ₈	51 ⁹ / ₁₆	3251
365	197 ¹ / ₂	81 ¹ / ₄	103 ¹⁵ / ₁₆	60	78 ⁷ / ₈	51 ⁵ / ₈	67 ³ / ₈	56 ¹ / ₂	3908
402	210 ⁷ / ₈	86 ¹ / ₄	108 ¹⁵ / ₁₆	60	86 ¹ / ₂	56 ³ / ₄	74 ⁵ / ₁₆	59 ¹ / ₈	4372
445	250 ¹⁵ / ₁₆	92 ¹ / ₄	123 ³ / ₁₆	84	95 ³ / ₈	62 ³ / ₄	82 ¹ / ₈	65 ³ / ₈	5492

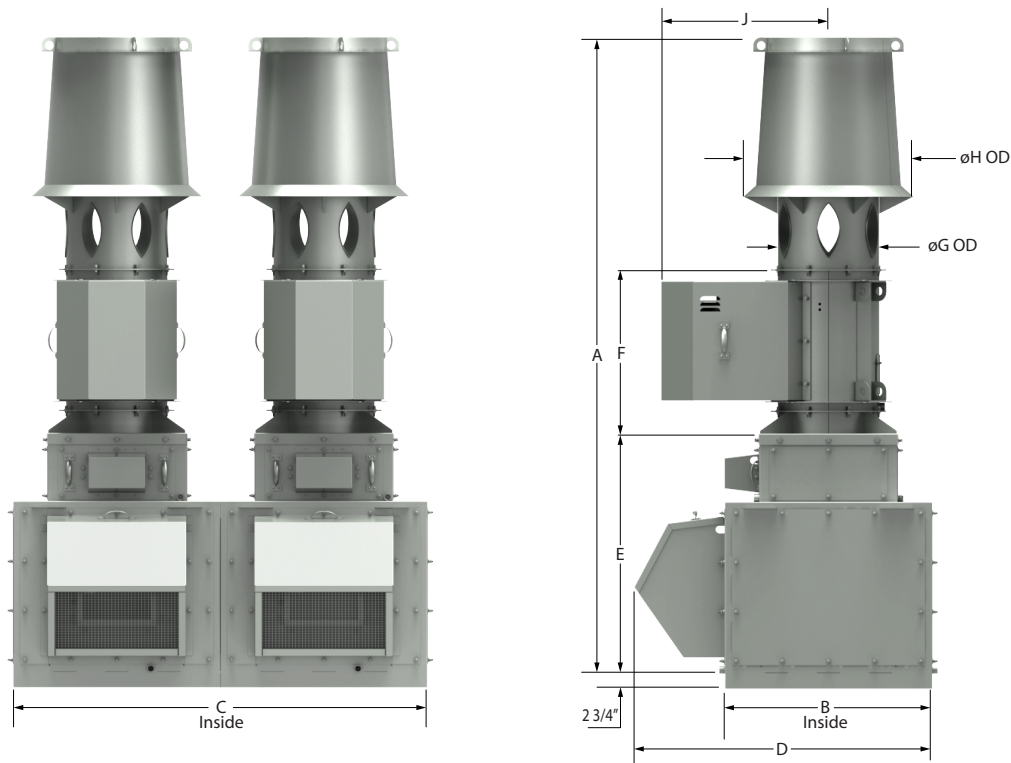
All dimensions are in inches.

*Does not include weight for motor and drives.

- A = Overall System Height (Without Curb)
- B = Width Of Plenum (Inside)
- D = Overall Width Of The System
- E = Height Of Plenum
- F = Height Of Fan
- G = Dia. Of Nozzle
- H = Dia. Of Windband Collar
- J = Max. Weather Cover

DIMENSIONAL DRAWINGS

2x1 Plenum



DIMENSIONAL & WEIGHT DATA

MODEL	A	B	C	D	E	F	G	H	J	WEIGHT* (LBS)
122	111 13/16	36 3/16	72 13/16	52 3/16	42	28 7/8	17 7/8	30 1/16	29 7/16	1744
135	118 3/4	39 3/16	78 13/16	55 3/16	42	31 3/16	19 3/4	33 1/8	29 7/8	1974
150	126 3/4	45 3/16	90 13/16	61 3/16	42	34 3/8	21 15/16	36 13/16	33 3/8	2308
165	127 3/8	46 3/16	92 13/16	62 3/16	42	37 3/4	23 7/16	40 3/8	34 1/8	2426
182	142 7/16	53 3/16	106 13/16	71 11/16	48	41 1/4	25 13/16	44 15/16	35 3/8	3036
200	150 13/16	57 3/16	114 13/16	75 3/4	48	44 15/16	28 3/8	49 3/16	36 3/8	3183
222	161 15/16	61 3/16	122 13/16	79 3/4	48	49 7/16	31 7/16	54 3/4	40	3692
245	157 1/4	62 3/16	124 13/16	80 3/4	48	54 3/16	34 11/16	53 9/16	41 9/16	3877
270	167 15/16	65 3/16	130 13/16	83 3/4	48	59 5/16	38 3/16	59 1/16	45 1/2	4389
300	186 7/8	71 3/16	142 13/16	91 7/8	54	65 1/2	42 7/16	65 9/16	49 7/16	5428
330	200 1/16	78 1/4	156 3/4	98 13/16	54	71 3/4	46 3/8	72 1/8	51 9/16	6503
365	197 1/2	81 1/4	162 3/4	103 13/16	60	78 7/8	51 3/8	67 3/8	56 1/2	7816
402	210 7/8	86 1/4	172 3/4	108 15/16	60	86 1/2	56 3/4	74 5/16	59 1/8	8744
445	250 15/16	92 1/4	184 3/4	123 3/16	84	95 3/8	62 3/4	82 1/8	65 3/8	10984

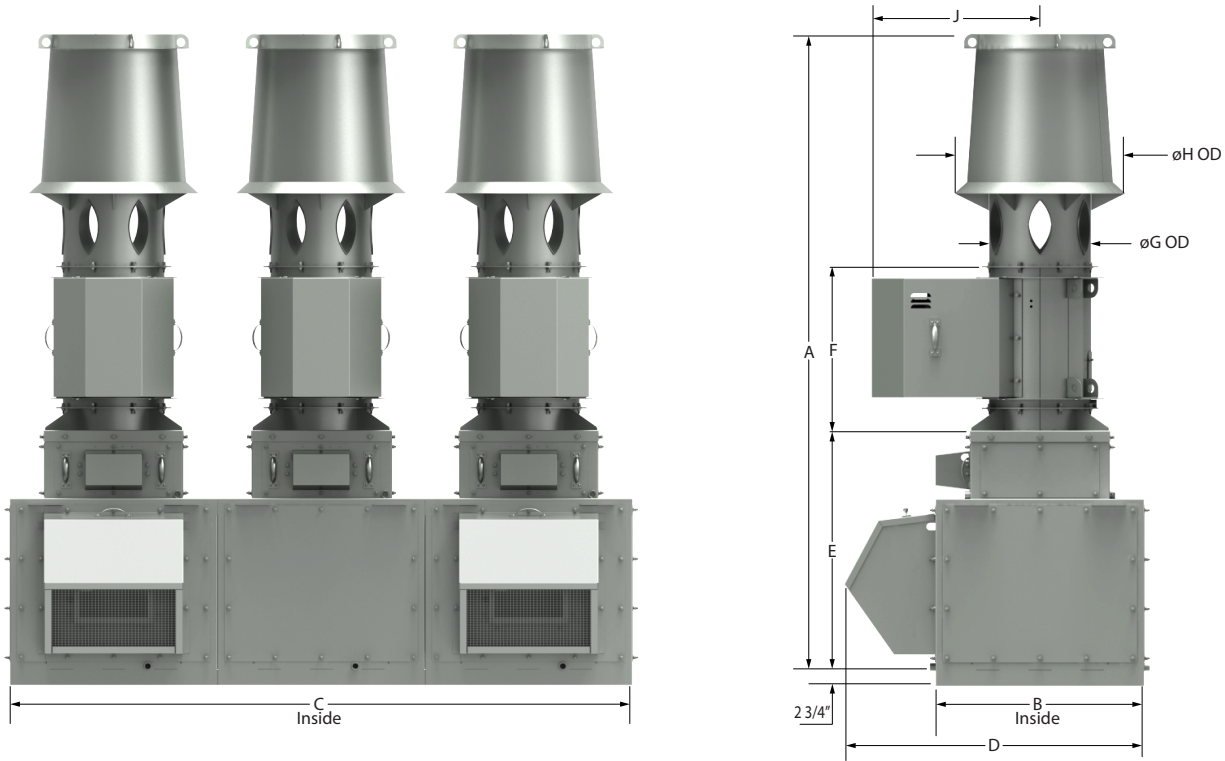
All dimensions are in inches.

*Does not include weight for motor and drives.

- A = Overall System Height (Without Curb)
- B = Width Of Plenum (Inside)
- C = Length Of Plenum (Inside)
- D = Overall Width Of The System
- E = Height Of Plenum
- F = Height Of Fan
- G = Dia. Of Nozzle
- H = Dia. Of Windband Collar
- J = Max. Weather Cover

DIMENSIONAL DRAWINGS

3x1 Plenum



DIMENSIONAL & WEIGHT DATA										
MODEL	A	B	C	D	E	F	G	H	J	WEIGHT* (LBS)
122	111 13/16	36 5/16	109 5/16	52 5/16	42	28 7/8	17 7/8	30 1/16	29 7/16	2615
135	118 3/4	39 5/16	118 5/16	55 5/16	42	31 5/16	19 3/4	33 1/8	29 7/8	2961
150	126 3/4	45 5/16	136 5/16	61 5/16	42	34 3/8	21 15/16	36 13/16	33 3/8	3463
165	127 5/8	46 5/16	139 5/16	62 5/16	42	37 3/4	23 7/16	40 5/8	34 1/8	3639
182	142 7/16	53 5/16	160 5/16	71 11/16	48	41 1/4	25 13/16	44 15/16	35 3/8	4553
200	150 13/16	57 5/16	172 5/16	75 3/4	48	44 15/16	28 3/8	49 3/16	36 5/8	4775
222	161 15/16	61 5/16	184 5/16	79 3/4	48	49 7/16	31 7/16	54 3/4	40	5538
245	157 1/4	62 5/16	187 5/16	80 3/4	48	54 5/16	34 11/16	53 5/16	41 1/16	5816
270	167 15/16	65 5/16	196 5/16	83 3/4	48	59 5/16	38 3/16	59 1/16	45 1/2	6584
300	186 7/8	71 5/16	214 5/16	91 7/8	54	65 1/2	42 7/16	65 5/16	49 7/16	8142
330	200 1/16	78 1/4	235 1/4	98 13/16	54	71 3/4	46 5/8	72 1/8	51 5/16	9754
365	197 1/2	81 1/4	244 1/4	103 15/16	60	78 7/8	51 5/8	67 3/8	56 1/2	11724
402	210 7/8	86 1/4	259 1/4	108 15/16	60	86 1/2	56 3/4	74 5/16	59 1/8	13116
445	250 15/16	92 1/4	277 1/4	123 5/16	84	95 3/8	62 3/4	82 1/8	65 3/8	16477

All dimensions are in inches.

*Does not include weight for motor and drives.

- A = Overall System Height (Without Curb)
- B = Width Of Plenum (Inside)
- C = Length Of Plenum (Inside)
- D = Overall Width Of The System
- E = Height Of Plenum
- F = Height Of Fan
- G = Dia. Of Nozzle
- H = Dia. Of Windband Collar
- J = Max. Weather Cover

122 AIR PERFORMANCE

OUTLET AREA = 2.62 SQ.FT.

Model	CFM	OV	0.5"SP			1"SP			2"SP			3"SP			4"SP			5"SP			6"SP			7"SP			8"SP			
			RPM	BHP	WB FLOW	RPM	BHP	WB FLOW	RPM	BHP	WB FLOW	RPM	BHP	WB FLOW	RPM	BHP	WB FLOW	RPM	BHP	WB FLOW	RPM	BHP	WB FLOW	RPM	BHP	WB FLOW	RPM	BHP	WB FLOW	
122-LV	1755	2041	1696	0.42	3128	1887	0.60	3129	2260	1.05	3162	2601	1.57	3264	2913	2.12	3410	3200	2.71	3578	3470	3.33	3765	3725	3.99	3968	3967	4.69	4176	
	2055	2390	1925	0.61	3650	2089	0.80	3668	2413	1.27	3669	2724	1.83	3720	3015	2.45	3812	3285	3.09	3928	3540	3.76	4063	3781	4.45	4211	4012	5.18	4370	
	2355	2738	2160	0.85	4165	2304	1.06	4201	2589	1.56	4200	2869	2.14	4214	3138	2.80	4269	3392	3.50	4347	3634	4.23	4442	3863	4.97	4549	4083	5.75	4672	
	2655	3087	2400	1.15	4677	2529	1.39	4726	2782	1.91	4736	3033	2.52	4734	3280	3.21	4758	3518	3.95	4807	3746	4.73	4871	3964	5.54	4954				
	2955	3436	2643	1.53	5189	2760	1.79	5248	2988	2.34	5275	3215	2.97	5272	3440	3.68	5277	3660	4.46	5297	3875	5.28	5339	4082	6.14	5393				
	3255	3785	2888	1.98	5699	2995	2.27	5762	3203	2.86	5805	3409	3.51	5810	3615	4.24	5806	3818	5.04	5810	4019	5.90	5832							
	3555	4134	3135	2.51	6207	3234	2.83	6277	3425	3.47	6335	3614	4.15	6345	3803	4.90	6341	3991	5.72	6344										
	3855	4483	3383	3.14	6717	3475	3.49	6787	3653	4.18	6858	3828	4.90	6884	4002	5.67	6879													
	4155	4831	3632	3.87	7228	3718	4.25	7300	3884	4.99	7379	4047	5.75	7411																
	4455	5180	3881	4.71	7736	3963	5.12	7808	4119	5.91	7894																			
122-MV	1250	2155	1424	0.26	2371	1681	0.43	2369	2128	0.82	2469	2513	1.26	2654	2859	1.75	2885	3175	2.30	3137										
	1600	2759	1690	0.43	3050	1898	0.62	3031	2287	1.07	3048	2634	1.57	3131	2949	2.11	3255	3241	2.68	3412	3514	3.30	3589	3773	3.97	3780	4019	4.68	3979	
	1950	3362	1976	0.68	3722	2148	0.89	3709	2483	1.39	3690	2796	1.96	3717	3085	2.57	3778	3354	3.20	3867	3608	3.86	3974	3850	4.55	4103	4080	5.28	4239	
	2300	3966	2274	1.03	4390	2420	1.26	4388	2709	1.80	4359	2989	2.43	4356	3253	3.10	4380	3503	3.80	4421	3740	4.53	4485	3966	5.28	4564				
	2650	4569	2578	1.49	5053	2705	1.74	5061	2958	2.33	5037	3206	2.99	5018	3447	3.72	5015	3679	4.49	5034	3900	5.29	5071	4112	6.11	5112				
	3000	5172	2887	2.08	5714	2999	2.36	5729	3223	2.99	5715	3445	3.69	5696	3663	4.46	5682	3876	5.29	5677	4082	6.15	5694							
	3350	5776	3199	2.82	6376	3300	3.13	6393	3500	3.80	6395	3700	4.54	6376	3898	5.36	6354	4093	6.23	6341										
	3700	6379	3514	3.72	7036	3605	4.06	7059	3786	4.78	7063	3967	5.57	7048	4148	6.42	7034													
	4050	6983	3829	4.81	7696	3913	5.18	7721	4078	5.95	7731																			
	4400	7586	4146	6.09	8356																									
122-HV	1000	2222	1334	0.22	2077	1620	0.37	2097	2101	0.72	2266	2511	1.14	2524																
	1325	2944	1586	0.36	2760	1823	0.55	2752	2243	0.96	2799	2610	1.42	2919	2942	1.93	3090	3249	2.49	3291	3534	3.12	3502							
	1650	3667	1865	0.58	3443	2063	0.80	3433	2431	1.28	3433	2761	1.80	3478	3064	2.36	3564	3346	2.95	3679	3612	3.59	3818	3864	4.27	3975	4104	5.00	4139	
	1975	4389	2159	0.90	4122	2327	1.14	4118	2650	1.69	4103	2949	2.28	4115	3226	2.90	4148	3486	3.55	4211	3733	4.23	4290	3968	4.94	4387				
	2300	5111	2463	1.33	4799	2608	1.60	4802	2892	2.20	4786	3162	2.86	4779	3417	3.55	4790	3658	4.27	4817	3888	5.01	4857	4108	5.78	4914				
	2625	5833	2772	1.89	5475	2900	2.19	5480	3152	2.84	5473	3396	3.56	5459	3630	4.32	5453	3854	5.11	5464	4068	5.92	5481							
	2950	6556	3086	2.61	6148	3199	2.93	6158	3425	3.63	6157	3646	4.40	6144	3861	5.23	6131	4069	6.08	6134										
	3275	7278	3402	3.48	6825	3504	3.83	6835	3708	4.59	6840	3909	5.42	6828	4107	6.30	6814													
	3600	8000	3720	4.55	7497	3813	4.93	7510	3999	5.74	7516																			
	3925	8722	4040	5.82	8169	4125	6.23	8187																						
122-XV	800	2286	1288	0.19	1908	1596	0.32	1961																						
	1100	3143	1543	0.33	2623	1798	0.50	2627	2239	0.88	2711																			
	1400	4000	1829	0.56	3339	2044	0.76	3339	2429	1.21	3356	2772	1.70	3427	3087	2.23	3544													
	1700	4857	2133	0.88	4052	2316	1.12	4056	2656	1.64	4057	2965	2.20	4079	3251	2.78	4130	3520	3.41	4213	3774	4.07	4314							
	2000	5714	2448	1.33	4764	2607	1.61	4772	2908	2.20	4769	3187	2.82	4772	3449	3.47	4795	3697	4.15	4832	3933	4.86	4888	4158	5.60	4961				
	2300	6571	2769	1.93	5471	2909	2.24	5483	3179	2.90	5488	3433	3.60	5486	3673	4.32	5490	3902	5.06	5504	4121	5.83	5535							
	2600	7429	3096	2.69	6182	3220	3.03	6195	3463	3.77	6205	3695	4.53	6204	3917	5.33	6200	4129	6.14	6204										
	2900	8286	3425	3.64	6889	3538	4.02	6905	3758	4.82	6919	3970	5.66	6918																
	3200	9143	3757	4.80	7594	3860	5.22	7617	4061	6.09	7632																			
	3500	10000	4091	6.20	8305																									

Performance certified is for installation Type A: Free inlet, Free outlet. Power rating (Bhp) does not include transmission losses. Performance ratings do not include the effects of cross winds. Performance ratings do not include the effects of appurtenances (accessories).

135 AIR PERFORMANCE

OUTLET AREA = 3.17 SQ.FT.

Model	CFM	OV	0.5"SP			1"SP			2"SP			3"SP			4"SP			5"SP			7"SP			8"SP			8.7"SP		
			RPM	BHP	WB FLOW	RPM	BHP	WB FLOW	RPM	BHP	WB FLOW	RPM	BHP	WB FLOW	RPM	BHP	WB FLOW	RPM	BHP	WB FLOW	RPM	BHP	WB FLOW	RPM	BHP	WB FLOW	RPM	BHP	WB FLOW
135-LV	2000	1915	1466	0.45	3566	1651	0.66	3565	2006	1.19	3628	2326	1.80	3783															
	2385	2283	1683	0.66	4241	1838	0.89	4255	2145	1.46	4263	2436	2.12	4343	2705	2.85	4470	2955	3.60	4629									
	2770	2652	1907	0.95	4904	2041	1.20	4940	2308	1.80	4937	2569	2.50	4966	2818	3.29	5040	3053	4.12	5148	3485	5.88	5415						
	3155	3021	2136	1.32	5563	2255	1.60	5618	2490	2.23	5627	2723	2.97	5628	2950	3.79	5660	3169	4.69	5727	3579	6.59	5915	3770	7.58	6033	3900	8.29	6117
	3540	3389	2369	1.79	6220	2476	2.10	6286	2686	2.77	6317	2894	3.53	6311	3101	4.39	6318	3303	5.32	6353	3689	7.36	6476	3871	8.42	6560			
	3925	3758	2603	2.35	6871	2701	2.70	6948	2891	3.42	7004	3080	4.21	7003	3267	5.09	6998	3453	6.06	7009	3814	8.19	7083						
	4310	4127	2840	3.04	7526	2930	3.42	7610	3104	4.20	7679	3276	5.03	7692	3447	5.93	7688	3618	6.93	7687									
	4695	4495	3077	3.84	8177	3161	4.27	8265	3322	5.11	8352	3480	5.98	8377	3638	6.92	8376	3795	7.94	8372									
	5080	4864	3316	4.79	8833	3394	5.25	8920	3544	6.16	9017	3691	7.08	9058	3837	8.06	9065												
	5465	5232	3556	5.88	9487	3629	6.39	9572	3770	7.36	9685																		
135-MV	1200	2000	1173	0.24	2392	1439	0.42	2429																					
	1625	2708	1407	0.41	3255	1624	0.63	3243	2008	1.13	3308	2343	1.69	3465															
	2050	3417	1669	0.68	4118	1847	0.93	4100	2181	1.52	4100	2482	2.15	4159	2757	2.83	4265												
	2475	4125	1947	1.07	4974	2096	1.35	4966	2385	2.00	4941	2655	2.73	4953	2907	3.50	4999	3142	4.29	5071	3578	5.99	5286						
	2900	4833	2234	1.60	5827	2361	1.91	5826	2613	2.63	5801	2855	3.43	5792	3085	4.29	5800	3302	5.17	5831	3708	7.03	5949	3899	8.01	6033			
	3325	5542	2527	2.31	6680	2638	2.65	6685	2859	3.43	6666	3075	4.30	6648	3285	5.23	6642	3486	6.20	6645	3865	8.24	6705						
	3750	6250	2823	3.21	7528	2921	3.59	7539	3118	4.43	7533	3312	5.35	7507	3503	6.35	7491	3689	7.41	7489									
	4175	6958	3121	4.32	8373	3210	4.74	8393	3387	5.65	8392	3563	6.63	8379	3736	7.69	8358												
	4600	7667	3422	5.69	9222	3502	6.14	9239	3663	7.11	9246	3823	8.16	9240															
	5025	8375	3724	7.33	10070	3797	7.81	10090																					
135-HV	800	2105	1114	0.18	2072	1415	0.34	2197																					
	1150	3026	1339	0.34	2955	1585	0.53	2974	2008	0.98	3142																		
	1500	3947	1600	0.60	3852	1806	0.83	3855	2172	1.34	3904	2497	1.91	4032															
	1850	4868	1881	0.98	4748	2056	1.26	4753	2377	1.85	4763	2667	2.49	4812	2936	3.18	4906	3187	3.92	5031									
	2200	5789	2173	1.51	5638	2325	1.84	5653	2608	2.52	5654	2870	3.24	5671	3114	3.99	5706	3346	4.79	5778	3776	6.53	5977						
	2550	6711	2473	2.23	6529	2606	2.60	6546	2859	3.37	6556	3096	4.18	6559	3320	5.01	6573	3533	5.88	6603									
	2900	7632	2777	3.16	7415	2896	3.58	7439	3123	4.44	7455	3339	5.33	7452	3545	6.25	7455	3742	7.20	7471									
	3250	8553	3085	4.34	8305	3192	4.80	8328	3398	5.75	8349	3596	6.73	8352	3786	7.74	8355												
	3600	9474	3395	5.78	9193	3492	6.29	9220	3681	7.33	9245	3863	8.40	9253															
	3950	10395	3707	7.53	10083	3796	8.08	10109																					
135-XV	700	2121	1108	0.17	2030																								
	1025	3106	1335	0.33	2925	1589	0.51	2965	2022	0.95	3174																		
	1350	4091	1602	0.58	3848	1813	0.81	3859	2187	1.30	3934	2519	1.88	4091															
	1675	5076	1890	0.97	4769	2069	1.24	4780	2395	1.81	4803	2691	2.43	4874	2965	3.12	4987	3221	3.88	5134									
	2000	6061	2190	1.52	5687	2344	1.83	5701	2632	2.49	5712	2898	3.18	5743	3147	3.93	5801	3382	4.72	5885	3819	6.49	6114						
	2325	7045	2497	2.27	6601	2633	2.63	6621	2890	3.37	6637	3130	4.14	6649	3357	4.95	6674	3573	5.81	6719									
	2650	8030	2810	3.24	7518	2931	3.65	7543	3161	4.47	7557	3380	5.33	7566	3588	6.22	7577	3788	7.15	7604									
	2975	9015	3126	4.47	8433	3235	4.92	8457	3444	5.84	8481	3644	6.79	8487	3836	7.76	8495												
	3300	10000	3444	5.99	9345	3543	6.48	9374	3734	7.49	9400																		
	3625	10985	3765	7.83	10262	3855	8.37	10288																					

Performance certified is for installation Type A: Free inlet, Free outlet. Power rating (Bhp) does not include transmission losses. Performance ratings do not include the effects of cross winds. Performance ratings do not include the effects of appurtenances (accessories).

150 AIR PERFORMANCE

OUTLET AREA = 3.92 SQ.FT.

Model	CFM	OV	0.5"SP			1"SP			2"SP			3"SP			4"SP			6"SP			8"SP			9"SP			9.75"SP		
			RPM	BHP	WB FLOW	RPM	BHP	WB FLOW	RPM	BHP	WB FLOW	RPM	BHP	WB FLOW	RPM	BHP	WB FLOW	RPM	BHP	WB FLOW	RPM	BHP	WB FLOW	RPM	BHP	WB FLOW	RPM	BHP	WB FLOW
150-LV	2000	1551	1139	0.36	3565	1342	0.60	3581	1706	1.20	3791	2020	1.86	4117	2300	2.59	4502												
	2625	2036	1382	0.63	4676	1539	0.90	4679	1844	1.57	4729	2123	2.34	4885	2378	3.18	5103	2833	4.99	5639	3240	7.03	6259						
	3250	2520	1644	1.04	5764	1771	1.34	5800	2023	2.06	5796	2267	2.91	5850	2498	3.86	5963	2918	5.89	6294	3296	8.07	6709	3473	9.22	6936	3602	10.12	7115
	3875	3005	1914	1.61	6834	2022	1.96	6902	2234	2.73	6911	2444	3.63	6913	2650	4.66	6956	3036	6.91	7147	3390	9.32	7420	3556	10.57	7581			
	4500	3490	2189	2.38	7897	2283	2.78	7984	2467	3.62	8031	2649	4.57	8025	2830	5.64	8026	3182	8.06	8117	3512	10.70	8296						
	5125	3975	2468	3.38	8960	2552	3.84	9060	2714	4.77	9139	2874	5.77	9143	3034	6.88	9137	3351	9.40	9166									
	5750	4459	2749	4.64	10019	2825	5.16	10127	2971	6.19	10235	3114	7.26	10264	3257	8.42	10259	3542	11.02	10256									
	6375	4944	3032	6.19	11081	3101	6.78	11190	3234	7.91	11314	3364	9.07	11367	3493	10.28	11385												
	7000	5429	3315	8.06	12142	3379	8.71	12248	3502	9.96	12388	3621	11.21	12459															
	7625	5913	3600	10.28	13206																								
150-MV	1750	2147	1132	0.36	3381	1350	0.61	3386	1725	1.17	3569	2046	1.81	3882	2334	2.55	4262												
	2325	2853	1370	0.63	4513	1544	0.92	4488	1866	1.60	4520	2151	2.33	4645	2411	3.13	4841	2876	4.91	5354	3290	6.99	5947						
	2900	3558	1630	1.05	5640	1772	1.38	5623	2046	2.14	5596	2300	2.99	5630	2535	3.90	5717	2962	5.84	6001	3347	7.98	6382	3528	9.13	6602			
	3475	4264	1902	1.66	6759	2020	2.02	6754	2254	2.86	6717	2480	3.81	6710	2693	4.83	6734	3086	6.99	6875	3445	9.31	7104	3614	10.52	7245			
	4050	4969	2180	2.49	7870	2282	2.89	7882	2484	3.80	7850	2683	4.83	7821	2876	5.95	7819	3238	8.34	7872	3573	10.88	7998						
	4625	5675	2463	3.57	8983	2552	4.02	9002	2729	5.00	8986	2905	6.10	8955	3079	7.30	8933	3412	9.90	8938									
	5200	6380	2748	4.95	10088	2827	5.44	10111	2985	6.50	10114	3143	7.67	10092	3299	8.94	10066	3604	11.71	10038									
	5775	7086	3035	6.65	11199	3107	7.19	11230	3249	8.34	11235	3391	9.58	11229	3533	10.92	11205												
	6350	7791	3324	8.72	12305	3389	9.31	12332	3518	10.54	12355																		
	6925	8497	3614	11.19	13415																								
150-HV	1500	3000	1212	0.44	3689	1430	0.68	3706	1805	1.23	3887	2129	1.89	4197															
	1925	3850	1434	0.73	4735	1618	1.03	4735	1946	1.66	4787	2236	2.37	4932	2501	3.17	5148	2974	5.03	5674									
	2350	4700	1673	1.17	5780	1830	1.51	5782	2119	2.25	5791	2380	3.04	5845	2621	3.89	5953	3061	5.80	6292	3457	8.00	6715						
	2775	5550	1920	1.77	6815	2057	2.17	6827	2314	3.01	6828	2551	3.90	6846	2771	4.83	6891	3178	6.85	7081	3550	9.11	7371						
	3200	6400	2174	2.57	7851	2295	3.02	7872	2525	3.97	7879	2740	4.96	7877	2943	5.99	7889	3321	8.17	7993									
	3625	7250	2432	3.60	8886	2540	4.10	8911	2747	5.15	8923	2944	6.24	8921	3132	7.38	8929	3483	9.75	8971									
	4050	8100	2693	4.88	9922	2790	5.43	9945	2979	6.59	9969	3160	7.79	9974	3333	9.03	9967												
	4475	8950	2956	6.46	10955	3044	7.06	10980	3217	8.32	11015	3384	9.62	11016	3545	10.97	11012												
	4900	9800	3220	8.34	11985	3301	9.00	12013	3460	10.36	12047	3615	11.77	12059															
	5325	10650	3486	10.58	13024	3561	11.29	13051																					
150-XV	1500	3704	1344	0.58	4298	1547	0.83	4316	1904	1.41	4461	2217	2.11	4716	2496	2.92	5011												
	1850	4568	1564	0.93	5295	1739	1.23	5305	2054	1.88	5360	2337	2.61	5496	2597	3.45	5691	3060	5.39	6160	3467	7.68	6645						
	2200	5432	1796	1.42	6291	1948	1.76	6303	2229	2.50	6326	2486	3.30	6394	2724	4.17	6506	3159	6.15	6834	3550	8.46	7226						
	2550	6296	2034	2.07	7280	2169	2.46	7301	2421	3.29	7316	2655	4.17	7348	2875	5.11	7410	3280	7.17	7614									
	2900	7160	2277	2.91	8271	2398	3.36	8296	2627	4.28	8315	2841	5.25	8327	3043	6.26	8359	3422	8.44	8490									
	3250	8025	2524	3.98	9260	2633	4.47	9289	2841	5.49	9312	3039	6.55	9328	3226	7.64	9339	3580	9.97	9409									
	3600	8889	2773	5.28	10249	2872	5.82	10279	3064	6.95	10313	3246	8.10	10318	3421	9.28	10328												
	3950	9753	3024	6.85	11240	3115	7.45	11271	3292	8.67	11310	3461	9.91	11323	3624	11.19	11325												
	4300	10617	3276	8.72	12229	3360	9.37	12265	3524	10.68	12296																		
	4650	11481	3530	10.92	13227	3608	11.61	13253																					

Performance certified is for installation Type A: Free inlet, Free outlet. Power rating (Bhp) does not include transmission losses. Performance ratings do not include the effects of cross winds. Performance ratings do not include the effects of appurtenances (accessories).

165 AIR PERFORMANCE

OUTLET AREA = 4.79 SQ.FT.

Model	CFM	OV	0.5"SP			1"SP			1.5"SP			2"SP			2.5"SP			3"SP			4"SP			5"SP			6"SP		
			RPM	BHP	WB FLOW	RPM	BHP	WB FLOW	RPM	BHP	WB FLOW	RPM	BHP	WB FLOW	RPM	BHP	WB FLOW	RPM	BHP	WB FLOW	RPM	BHP	WB FLOW	RPM	BHP	WB FLOW	RPM	BHP	WB FLOW
165-LV	3250	2284	1288	0.89	6308	1458	1.30	6253	1610	1.72	6183	1759	2.17	6217	1910	2.67	6400												
	3830	2691	1457	1.29	7440	1610	1.75	7420	1747	2.23	7350	1876	2.72	7292	2003	3.25	7293	2129	3.80	7374									
	4410	3099	1634	1.80	8573	1769	2.32	8561	1897	2.86	8527	2015	3.42	8466	2127	3.98	8410	2237	4.57	8386	2456	5.83	8496						
	4990	3507	1817	2.46	9713	1935	3.03	9694	2052	3.63	9676	2163	4.24	9639	2267	4.87	9585	2367	5.50	9532	2562	6.84	9494	2756	8.27	9593	2953	9.82	9864
	5570	3914	2004	3.28	10855	2107	3.89	10823	2214	4.55	10815	2318	5.23	10798	2416	5.91	10762	2510	6.61	10714	2689	8.04	10622	2863	9.54	10598			
	6150	4322	2195	4.28	12004	2284	4.92	11957	2381	5.63	11948	2477	6.37	11935	2570	7.12	11919	2659	7.89	11884	2828	9.43	11802						
	6730	4729	2387	5.49	13150	2466	6.16	13098	2552	6.91	13074	2641	7.70	13066	2729	8.52	13060	2814	9.35	13041	2974	11.02	12976						
	7310	5137	2580	6.90	14291	2651	7.62	14239	2729	8.41	14214	2810	9.25	14203	2892	10.12	14196	2972	11.01	14185									
	7890	5545	2775	8.56	15436	2839	9.32	15384	2909	10.15	15346																		
	8470	5952	2971	10.48	16587																								
165-MV	2250	2147	1077	0.52	3950	1293	0.84	3756																					
	2850	2719	1257	0.83	5180	1432	1.20	4901	1601	1.61	4758	1777	2.08	4852															
	3450	3292	1449	1.28	6376	1601	1.71	6143	1743	2.16	5919	1883	2.65	5783	2025	3.18	5772	2171	3.76	5896									
	4050	3865	1648	1.88	7542	1784	2.38	7370	1909	2.89	7160	2030	3.43	6972	2149	3.99	6833	2269	4.58	6766	2515	5.90	6883						
	4650	4437	1852	2.66	8695	1975	3.23	8568	2089	3.81	8399	2197	4.40	8216	2302	5.01	8044	2406	5.65	7906	2614	7.00	7766	2828	8.49	7846			
	5250	5010	2060	3.66	9840	2171	4.29	9743	2276	4.94	9607	2376	5.61	9455	2471	6.27	9293	2564	6.95	9137	2748	8.38	8888	2933	9.91	8774			
	5850	5582	2271	4.89	10984	2372	5.60	10907	2469	6.32	10800	2561	7.04	10672	2650	7.78	10528	2736	8.52	10382	2903	10.05	10114						
	6450	6155	2484	6.39	12122	2576	7.16	12060	2666	7.95	11972	2752	8.75	11867	2835	9.55	11752	2916	10.36	11623									
	7050	6727	2698	8.18	13254	2783	9.02	13207	2867	9.88	13137	2947	10.74	13050															
	7650	7300	2914	10.30	14396																								
165-HV	1750	2294	1033	0.42	3004																								
	2300	3014	1203	0.70	4152	1418	1.06	3928	1641	1.49	4065																		
	2850	3735	1401	1.13	5333	1570	1.53	5015	1744	1.98	4870	1924	2.50	4927	2104	3.08	5128												
	3400	4456	1610	1.73	6489	1753	2.19	6194	1895	2.68	5953	2041	3.22	5825	2190	3.80	5818	2342	4.45	5919									
	3950	5177	1826	2.54	7624	1951	3.05	7373	2073	3.59	7126	2196	4.17	6926	2320	4.78	6797	2448	5.44	6747	2708	6.90	6865	2967	8.52	7183			
	4500	5898	2047	3.58	8747	2158	4.16	8535	2266	4.76	8308	2373	5.38	8096	2481	6.04	7920	2590	6.73	7792	2813	8.22	7688						
	5050	6619	2271	4.90	9861	2371	5.54	9682	2468	6.20	9479	2564	6.88	9283	2659	7.58	9091	2755	8.31	8932	2950	9.86	8702						
	5600	7339	2498	6.52	10974	2589	7.23	10817	2677	7.95	10643	2764	8.69	10456	2850	9.44	10280	2936	10.21	10111									
	6150	8060	2726	8.48	12074	2809	9.25	11943	2890	10.03	11786	2970	10.83	11622															
	6700	8781	2955	10.81	13178																								
165-XV	1250	2232	1048	0.35	2669																								
	1690	3018	1177	0.56	3511	1463	0.94	3638																					
	2130	3804	1341	0.89	4470	1582	1.30	4445	1807	1.78	4565																		
	2570	4589	1528	1.36	5475	1727	1.81	5346	1926	2.34	5369	2115	2.91	5470															
	3010	5375	1728	2.00	6485	1895	2.50	6317	2066	3.06	6253	2237	3.68	6283	2401	4.34	6362	2555	5.04	6455									
	3450	6161	1936	2.85	7493	2080	3.40	7320	2228	4.00	7210	2377	4.65	7167	2526	5.35	7187	2671	6.09	7248	2944	7.68	7406						
	3890	6946	2149	3.92	8496	2276	4.52	8334	2405	5.17	8201	2536	5.86	8115	2669	6.60	8082	2801	7.38	8091									
	4330	7732	2366	5.26	9498	2479	5.91	9343	2593	6.60	9206	2710	7.34	9104	2828	8.12	9033	2948	8.94	9000									
	4770	8518	2584	6.87	10490	2686	7.58	10348	2790	8.34	10220	2895	9.12	10108															
	5210	9304	2805	8.82	11484	2898	9.58	11357																					

Performance certified is for installation Type A: Free inlet, Free outlet. Power rating (Bhp) does not include transmission losses. Performance ratings do not include the effects of cross winds. Performance ratings do not include the effects of appurtenances (accessories).

182 AIR PERFORMANCE

OUTLET AREA = 5.85 SQ.FT.

Model	CFM	OV	0.5"SP			1"SP			1.5"SP			2"SP			3"SP			4"SP			5"SP			5.5"SP			6.2"SP		
			RPM	BHP	WB FLOW	RPM	BHP	WB FLOW	RPM	BHP	WB FLOW	RPM	BHP	WB FLOW	RPM	BHP	WB FLOW	RPM	BHP	WB FLOW	RPM	BHP	WB FLOW	RPM	BHP	WB FLOW	RPM	BHP	WB FLOW
182-LV	3500	2011	1066	0.84	6781	1232	1.28	6685	1384	1.76	6676	1540	2.30	6940	1863	3.59	8194												
	4200	2413	1212	1.23	8152	1360	1.75	8096	1493	2.28	8007	1621	2.85	7995	1879	4.13	8412	2149	5.67	9430									
	4900	2815	1365	1.75	9520	1498	2.34	9497	1620	2.95	9430	1733	3.57	9351	1951	4.91	9363	2174	6.43	9765	2404	8.16	10558	2521	9.12	11064			
	5600	3217	1525	2.42	10893	1642	3.07	10872	1755	3.76	10839	1860	4.46	10775	2055	5.90	10657	2246	7.47	10718	2440	9.19	11047	2539	10.12	11317	2680	11.50	11800
	6300	3619	1689	3.26	12266	1791	3.97	12233	1895	4.73	12221	1994	5.51	12187	2175	7.09	12060	2346	8.74	11981	2516	10.52	12048	2601	11.44	12146			
	7000	4021	1857	4.31	13648	1946	5.06	13602	2041	5.89	13596	2133	6.74	13576	2304	8.47	13481	2463	10.26	13368	2617	12.12	13316						
	7700	4423	2027	5.58	15031	2105	6.37	14969	2190	7.25	14953	2276	8.18	14951	2439	9.85	14895	2589	12.00	14794									
	8400	4825	2199	7.09	16416	2268	7.93	16345	2345	8.87	16325	2424	9.85	16321	2577	11.89	16287												
	9100	5227	2372	8.87	17798	2434	9.75	17727	2503	10.73	17692	2575	11.77	17683															
	9800	5629	2546	10.94	19177	2602	11.87	19105	2664	12.89	19061																		
182-MV	2500	2083	936	0.55	4269	1154	0.94	4179	1381	1.43	4724																		
	3200	2667	1091	0.90	5736	1259	1.33	5366	1429	1.82	5305	1606	2.40	5592															
	3900	3250	1258	1.38	7158	1401	1.88	6809	1538	2.41	6536	1677	3.01	6441	1966	4.39	6837												
	4600	3833	1433	2.04	8544	1560	2.62	8267	1678	3.22	7973	1794	3.85	7741	2030	5.25	7611	2275	6.88	7961	2522	8.74	8634						
	5300	4417	1613	2.92	9910	1727	3.57	9694	1833	4.24	9435	1935	4.93	9183	2137	6.42	8829	2342	8.06	8772	2555	9.92	9037	2662	10.91	9267			
	6000	5000	1796	4.02	11259	1900	4.76	11095	1997	5.51	10880	2089	6.27	10645	2268	7.86	10227	2447	9.59	9965	2629	11.46	9922						
	6700	5583	1982	5.40	12603	2076	6.22	12467	2166	7.05	12295	2251	7.89	12096	2415	9.62	11687	2574	11.43	11341									
	7400	6167	2169	7.07	13937	2256	7.98	13830	2339	8.89	13689	2419	9.81	13519	2570	11.68	13150												
	8100	6750	2358	9.08	15269	2439	10.07	15184	2516	11.07	15064	2590	12.06	14927															
	8800	7333	2549	11.46	16605	2623	12.52	16530																					
182-HV	1500	1875	888	0.36	2921																								
	2150	2688	998	0.61	3984	1259	1.04	4170																					
	2800	3500	1162	1.02	5367	1361	1.49	5173	1564	2.06	5329	1752	2.69	5599															
	3450	4313	1351	1.64	6801	1509	2.17	6489	1671	2.77	6376	1837	3.45	6466	2148	4.98	6884												
	4100	5125	1552	2.52	8218	1683	3.11	7905	1816	3.75	7677	1953	4.46	7581	2231	6.08	7733	2494	7.90	8092									
	4750	5938	1760	3.70	9622	1872	4.35	9335	1986	5.06	9087	2101	5.82	8900	2339	7.50	8786	2578	9.40	8953									
	5400	6750	1972	5.22	11013	2071	5.96	10762	2170	6.73	10521	2270	7.54	10308	2475	9.31	10038												
	6050	7563	2187	7.14	12397	2275	7.95	12172	2363	8.79	11950	2452	9.67	11738	2632	11.54	11401												
	6700	8375	2403	9.49	13765	2483	10.38	13570	2563	11.30	13368	2643	12.25	13172															
	7350	9188	2622	12.34	15140																								
182-XV	1500	2500	1000	0.48	3550																								
	1975	3292	1130	0.76	4625	1376	1.24	4683																					
	2450	4083	1279	1.18	5738	1502	1.72	5769	1693	2.31	5809																		
	2925	4875	1444	1.76	6884	1638	2.36	6851	1819	3.03	6896	1980	3.73	6932															
	3400	5667	1620	2.55	8043	1788	3.20	7966	1952	3.93	7971	2106	4.71	8013	2378	6.37	8068												
	3875	6458	1803	3.57	9205	1950	4.28	9108	2096	5.06	9071	2239	5.90	9089	2502	7.71	9163												
	4350	7250	1990	4.84	10364	2120	5.62	10257	2252	6.47	10203	2382	7.37	10188	2630	9.30	10234												
	4825	8042	2181	6.42	11523	2297	7.26	11416	2416	8.17	11347	2534	9.13	11307															
	5300	8833	2374	8.33	12680	2479	9.23	12576	2587	10.21	12500																		
	5775	9625	2568	10.59	13833	2665	11.57	13740																					

Performance certified is for installation Type A: Free inlet, Free outlet. Power rating (Bhp) does not include transmission losses. Performance ratings do not include the effects of cross winds. Performance ratings do not include the effects of appurtenances (accessories).

200 AIR PERFORMANCE

OUTLET AREA = 7.04 SQ.FT.

Model	CFM	OV	0.5"SP			1"SP			1.5"SP			2"SP			3"SP			4"SP			5"SP			6"SP			6.2"SP		
			RPM	BHP	WB FLOW	RPM	BHP	WB FLOW	RPM	BHP	WB FLOW	RPM	BHP	WB FLOW	RPM	BHP	WB FLOW	RPM	BHP	WB FLOW	RPM	BHP	WB FLOW	RPM	BHP	WB FLOW	RPM	BHP	WB FLOW
200-LV	4500	2152	1019	1.16	8725	1164	1.72	8623	1296	2.32	8559	1426	2.97	8705															
	5150	2463	1123	1.55	9997	1257	2.18	9941	1377	2.83	9836	1491	3.52	9796	1721	5.07	10210												
	5800	2774	1231	2.03	11266	1354	2.73	11237	1466	3.45	11152	1570	4.19	11057	1772	5.79	11103	1979	7.62	11646									
	6450	3085	1343	2.62	12539	1455	3.38	12519	1560	4.17	12462	1658	4.98	12375	1842	6.67	12264	2024	8.52	12439	2211	10.59	12990						
	7100	3396	1458	3.33	13817	1558	4.14	13782	1658	5.01	13761	1751	5.89	13697	1923	7.70	13542	2088	9.62	13521	2254	11.71	13746	2424	13.99	14262	2458	14.46	14396
	7750	3707	1575	4.18	15097	1665	5.03	15051	1758	5.96	15038	1847	6.92	15002	2010	8.86	14856	2163	10.87	14745	2314	13.01	14782						
	8400	4018	1693	5.16	16374	1775	6.07	16324	1861	7.06	16309	1945	8.08	16288	2101	10.16	16171	2247	12.31	16046	2387	14.54	15977						
	9050	4329	1813	6.32	17659	1887	7.26	17596	1966	8.30	17574	2046	9.39	17567	2196	11.62	17489	2335	13.90	17358									
	9700	4640	1934	7.64	18945	2001	8.63	18871	2074	9.71	18844	2149	10.87	18834	2293	13.24	18791	2427	15.66	18681									
	11000	5261	2178	10.85	21514	2234	11.92	21428	2296	13.09	21383	2361	14.34	21363															
200-MV	4000	2439	989	1.06	7283	1139	1.58	6904	1286	2.16	6798	1439	2.83	7091															
	4750	2896	1118	1.54	8781	1251	2.13	8447	1375	2.76	8162	1499	3.45	8067	1756	5.06	8577												
	5500	3354	1251	2.15	10233	1372	2.83	9984	1483	3.53	9691	1590	4.27	9458	1804	5.90	9381	2028	7.80	9913									
	6250	3811	1389	2.94	11683	1499	3.70	11491	1601	4.48	11240	1697	5.29	10983	1884	7.00	10644	2075	8.92	10693	2272	11.08	11157						
	7000	4268	1529	3.91	13113	1630	4.76	12968	1725	5.63	12767	1814	6.51	12534	1983	8.34	12112	2150	10.32	11895	2321	12.49	11974						
	7750	4726	1672	5.10	14545	1765	6.03	14432	1853	6.99	14268	1936	7.95	14067	2093	9.93	13653	2244	12.00	13318	2395	14.22	13167						
	8500	5183	1816	6.52	15966	1901	7.53	15870	1984	8.58	15747	2062	9.62	15578	2210	11.77	15203	2350	13.98	14839									
	9250	5640	1962	8.21	17391	2040	9.29	17307	2118	10.43	17210	2192	11.57	17074	2331	13.86	16738												
	10000	6098	2109	10.18	18814	2181	11.34	18738	2254	12.56	18656	2323	13.76	18539	2456	16.25	18261												
	11500	7012	2405	15.06	21653																								
200-HV	2500	2212	840	0.59	4267	1087	1.08	4627																					
	3325	2942	979	0.99	5970	1159	1.51	5654	1347	2.15	5902																		
	4150	3673	1144	1.61	7739	1285	2.20	7270	1430	2.86	7067	1580	3.61	7170															
	4975	4403	1319	2.49	9469	1437	3.15	9032	1555	3.87	8680	1676	4.66	8494	1925	6.46	8645												
	5800	5133	1501	3.69	11176	1603	4.44	10797	1704	5.23	10435	1805	6.07	10139	2013	7.93	9873	2228	10.07	10052	2442	12.45	10524						
	6625	5863	1686	5.24	12856	1777	6.08	12540	1866	6.96	12209	1954	7.87	11895	2132	9.84	11438	2316	12.03	11281									
	7450	6593	1874	7.20	14525	1956	8.15	14259	2036	9.12	13966	2115	10.11	13674	2272	12.21	13158	2431	14.48	12813									
	8275	7323	2063	9.62	16177	2138	10.66	15953	2211	11.73	15701	2282	12.81	15431	2424	15.07	14916												
	9100	8053	2255	12.57	17833	2323	13.70	17636	2390	14.86	17417	2456	16.04	17179															
	9925	8783	2447	16.07	19483																								
200-XV	2000	2500	901	0.60	4310																								
	2615	3269	1014	0.94	5563	1241	1.51	5699																					
	3230	4038	1150	1.46	6937	1343	2.09	6889	1524	2.81	7031																		
	3845	4806	1303	2.18	8363	1464	2.87	8189	1625	3.66	8214	1778	4.52	8338															
	4460	5575	1464	3.15	9790	1602	3.91	9574	1742	4.76	9493	1880	5.68	9526	2139	7.71	9745												
	5075	6344	1631	4.41	11214	1751	5.24	10991	1873	6.14	10848	1996	7.12	10800	2237	9.28	10913	2458	11.63	11111									
	5690	7113	1802	5.99	12636	1908	6.90	12418	2015	7.86	12245	2125	8.90	12145	2344	11.17	12130												
	6305	7881	1975	7.92	14048	2070	8.91	13844	2167	9.96	13672	2264	11.05	13532															
	6920	8650	2151	10.28	15466	2237	11.34	15276	2324	12.45	15098	2412	13.61	14947															
	7535	9419	2327	13.05	16869	2406	14.20	16695																					

Performance certified is for installation Type A: Free inlet, Free outlet. Power rating (Bhp) does not include transmission losses. Performance ratings do not include the effects of cross winds. Performance ratings do not include the effects of appurtenances (accessories).

222 AIR PERFORMANCE

OUTLET AREA = 8.70 SQ.FT.

Model	CFM	OV	0.5"SP			1"SP			1.5"SP			2"SP			3"SP			4"SP			5"SP			6"SP			6.4"SP		
			RPM	BHP	WB FLOW	RPM	BHP	WB FLOW	RPM	BHP	WB FLOW	RPM	BHP	WB FLOW	RPM	BHP	WB FLOW	RPM	BHP	WB FLOW	RPM	BHP	WB FLOW	RPM	BHP	WB FLOW	RPM	BHP	WB FLOW
222-LV	5500	2126	908	1.40	10659	1039	2.08	10526	1159	2.82	10456	1278	3.62	10678															
	6300	2435	1001	1.87	12227	1122	2.64	12159	1230	3.44	12019	1334	4.29	11982	1544	6.20	12562												
	7100	2744	1097	2.45	13784	1208	3.30	13746	1310	4.19	13644	1404	5.10	13530	1588	7.08	13619	1776	9.33	14344									
	7900	3053	1197	3.16	15355	1298	4.09	15329	1394	5.07	15263	1482	6.05	15145	1649	8.14	15023	1814	10.42	15270	1984	12.97	16004						
	8700	3362	1299	4.02	16923	1390	5.01	16882	1481	6.08	16861	1564	7.15	16764	1720	9.37	16580	1870	11.75	16575	2021	14.33	16891	2175	17.14	17570			
	9500	3671	1403	5.03	18494	1486	6.10	18453	1570	7.24	18433	1650	8.41	18380	1798	10.80	18202	1936	13.26	18068	2073	15.91	18132	2212	18.76	18462	2268	19.95	18672
	11100	4290	1616	7.63	21654	1683	8.79	21573	1755	10.06	21550	1828	11.42	21547	1963	14.14	21438	2089	16.95	21286	2208	19.80	21147						
	12700	4908	1833	11.06	24821	1888	12.31	24713	1950	13.72	24682	2013	15.19	24662	2138	18.29	24629	2254	21.41	24522									
	14300	5526	2051	15.41	27971	2099	16.80	27873	2151	18.29	27814	2206	19.89	27782															
	15900	6145	2272	20.87	31146																								
222-MV	4500	2143	829	1.06	8152	975	1.66	7742	1123	2.36	7913																		
	5375	2560	933	1.52	9908	1061	2.20	9492	1183	2.95	9240	1306	3.77	9352															
	6250	2976	1043	2.12	11631	1159	2.90	11299	1265	3.71	10946	1369	4.57	10750	1583	6.56	11074												
	7125	3393	1155	2.88	13318	1262	3.76	13070	1359	4.66	12741	1451	5.59	12451	1635	7.63	12251	1824	9.96	12698									
	8000	3810	1271	3.83	14995	1369	4.80	14808	1459	5.79	14535	1544	6.81	14246	1707	8.96	13816	1872	11.34	13791	2041	13.99	14232						
	8875	4226	1389	4.98	16668	1479	6.05	16518	1564	7.16	16311	1643	8.26	16049	1793	10.56	15561	1939	13.01	15274	2088	15.69	15313	2240	18.61	15696			
	9750	4643	1509	6.37	18334	1592	7.54	18219	1671	8.73	18046	1746	9.95	17833	1886	12.41	17356	2020	14.99	16962	2154	17.75	16768						
	11500	5476	1753	9.95	21667	1823	11.28	21575	1892	12.66	21457	1959	14.07	21312	2086	16.94	20948	2204	19.84	20536									
	13250	6310	2000	14.72	24986	2060	16.22	24908	2121	17.79	24825	2181	19.39	24719															
	15000	7143	2250	20.91	28315																								
222-HV	4250	2429	835	1.07	7455	989	1.68	7012	1150	2.41	7278																		
	5075	2900	941	1.55	9176	1071	2.22	8606	1201	2.98	8364	1335	3.84	8566															
	5900	3371	1052	2.18	10841	1168	2.93	10330	1278	3.74	9906	1390	4.63	9731	1622	6.69	10204												
	6725	3843	1167	2.97	12487	1272	3.82	12048	1370	4.70	11603	1467	5.64	11267	1664	7.72	11124	1870	10.17	11719									
	7550	4314	1285	3.97	14102	1381	4.91	13746	1470	5.87	13333	1557	6.88	12955	1730	9.05	12488	1908	11.49	12554	2091	14.25	13120						
	8375	4786	1404	5.18	15701	1493	6.22	15416	1575	7.26	15045	1655	8.35	14678	1811	10.64	14081	1968	13.15	13816	2129	15.91	13950						
	9200	5257	1525	6.63	17295	1607	7.76	17051	1685	8.92	16745	1758	10.08	16398	1901	12.51	15767	2043	15.12	15329	2187	17.94	15172						
	10850	6200	1770	10.36	20456	1842	11.70	20290	1910	13.03	20058	1976	14.40	19799	2101	17.16	19223	2222	20.03	18686									
	12500	7143	2019	15.36	23615	2082	16.88	23482	2143	18.42	23318	2202	19.97	23114															
	14150	8086	2269	21.79	26752																								
222-XV	3500	2536	804	0.91	6107	1000	1.53	6139																					
	4325	3134	914	1.38	7861	1067	2.04	7413	1227	2.83	7563																		
	5150	3732	1036	2.04	9639	1163	2.77	9067	1293	3.59	8817	1427	4.53	8933															
	5975	4330	1164	2.91	11377	1273	3.72	10828	1383	4.60	10413	1495	5.56	10224	1727	7.80	10537												
	6800	4928	1296	4.04	13096	1393	4.93	12604	1488	5.88	12147	1585	6.90	11823	1785	9.19	11656	1989	11.82	12064									
	7625	5525	1430	5.44	14785	1517	6.42	14354	1603	7.46	13926	1688	8.54	13546	1863	10.92	13099	2043	13.59	13112	2225	16.57	13511						
	8450	6123	1567	7.17	16474	1646	8.24	16096	1724	9.36	15701	1801	10.53	15321	1956	13.01	14734	2115	15.75	14472	2278	18.76	14549						
	9275	6721	1704	9.22	18139	1777	10.40	17811	1849	11.62	17457	1919	12.86	17094	2059	15.47	16457	2202	18.32	16038									
	10925	7917	1983	14.55	21466	2046	15.93	21210	2107	17.32	20917	2168	18.75	20613															
	12575	9112	2264	21.67	24771																								

Performance certified is for installation Type A: Free inlet, Free outlet. Power rating (Bhp) does not include transmission losses. Performance ratings do not include the effects of cross winds. Performance ratings do not include the effects of appurtenances (accessories).

245 AIR PERFORMANCE

OUTLET AREA = 9.94 SQ.FT.

Model	CFM	OV	0.5"SP			1"SP			2"SP			3"SP			4"SP			5"SP			6"SP			7"SP			7.75"SP		
			RPM	BHP	WB FLOW	RPM	BHP	WB FLOW	RPM	BHP	WB FLOW	RPM	BHP	WB FLOW	RPM	BHP	WB FLOW	RPM	BHP	WB FLOW	RPM	BHP	WB FLOW	RPM	BHP	WB FLOW	RPM	BHP	WB FLOW
245-LV	7000	2268	808	1.67	12687	911	2.47	12616	1082	4.14	11849	1240	5.97	11512															
	7825	2536	880	2.14	14166	975	3.00	14197	1136	4.83	13591	1281	6.78	12988	1423	8.91	12926												
	8650	2803	953	2.70	15613	1040	3.61	15711	1195	5.61	15328	1330	7.70	14673	1458	9.90	14258	1587	12.31	14318									
	9475	3070	1029	3.37	17076	1108	4.32	17202	1257	6.50	17018	1384	8.72	16422	1504	11.06	15876	1621	13.53	15600	1738	16.17	15681						
	11125	3605	1186	5.12	20013	1249	6.11	20130	1383	8.55	20186	1503	11.14	19867	1611	13.76	19356	1714	16.47	18855	1814	19.27	18477	1914	22.22	18310	1989	24.53	18320
	12775	4140	1347	7.46	22953	1398	8.49	23059	1515	11.10	23207	1628	14.03	23126	1730	17.00	22804	1825	20.01	22351	1916	23.09	21908	2004	26.24	21507			
	14425	4674	1509	10.44	25871	1552	11.53	25977	1653	14.27	26154	1757	17.45	26207	1855	20.79	26085	1945	24.14	25793									
	16075	5209	1673	14.18	28796	1710	15.33	28911	1797	18.17	29088	1891	21.54	29198	1983	25.16	29197												
	17725	5744	1839	18.79	31742	1871	20.00	31854	1946	22.92	32008																		
	19375	6278	2004	24.27	34668																								
245-MV	6000	2308	750	1.37	10854	856	2.07	10403	1043	3.58	9540																		
	6900	2654	828	1.82	12502	927	2.61	12266	1096	4.28	11320	1257	6.14	10949															
	7800	3000	909	2.39	14113	1002	3.28	14046	1159	5.12	13251	1302	7.07	12538	1445	9.25	12404												
	8700	3346	993	3.09	15718	1078	4.05	15739	1227	6.08	15169	1359	8.19	14395	1487	10.45	13895	1615	12.90	13843									
	9600	3692	1078	3.93	17301	1157	4.97	17399	1299	7.20	17040	1423	9.47	16335	1540	11.84	15686	1655	14.35	15293	1772	17.08	15257						
	11400	4385	1254	6.14	20480	1320	7.29	20631	1448	9.86	20575	1562	12.53	20133	1666	15.21	19541	1766	18.00	18946	1864	20.89	18475	1961	23.90	18189			
	13200	5077	1434	9.13	23660	1489	10.37	23815	1603	13.24	23923	1709	16.28	23729	1806	19.36	23320	1897	22.47	22811	1985	25.67	22292						
	15000	5769	1616	13.02	26835	1663	14.36	26989	1764	17.48	27181	1862	20.86	27159	1953	24.32	26927												
	16800	6462	1800	17.95	30020	1841	19.39	30172	1929	22.69	30367																		
	18600	7154	1985	24.02	33200																								
245-HV	5000	2326	692	1.09	9042	807	1.70	8329																					
	5950	2767	780	1.55	10958	881	2.25	10395	1069	3.80	9516																		
	6900	3209	870	2.14	12776	964	2.95	12440	1129	4.64	11415	1290	6.55	11009															
	7850	3651	964	2.89	14565	1050	3.80	14381	1201	5.67	13488	1342	7.68	12730	1485	9.93	12541												
	8800	4093	1059	3.81	16306	1139	4.82	16251	1279	6.89	15554	1408	9.06	14739	1534	11.38	14185	1661	13.91	14055									
	9750	4535	1156	4.93	18039	1230	6.04	18067	1362	8.31	17573	1481	10.65	16810	1596	13.11	16135	1710	15.72	15696	1824	18.50	15556	1940	21.51	15753			
	11650	5419	1353	7.86	21472	1418	9.17	21616	1536	11.86	21434	1642	14.57	20916	1742	17.36	20281	1839	20.25	19659	1934	23.22	19136						
	13550	6302	1554	11.86	24905	1610	13.33	25076	1717	16.44	25106	1814	19.57	24826	1905	22.76	24348	1992	26.00	23819									
	15450	7186	1757	17.09	28330	1806	18.73	28518	1903	22.23	28675	1993	25.80	28571															
	17350	8070	1962	23.75	31765	2005	25.53	31940																					
245-XV	4000	2222	632	0.82	7196	772	1.38	6736																					
	5000	2778	726	1.26	9402	839	1.89	8724	1064	3.41	8634																		
	6000	3333	828	1.87	11508	925	2.59	10956	1110	4.19	10121	1299	6.13	10454															
	7000	3889	934	2.67	13539	1020	3.49	13151	1181	5.26	12189	1340	7.25	11783	1502	9.53	12138												
	8000	4444	1042	3.69	15505	1121	4.64	15282	1264	6.57	14409	1403	8.68	13696	1543	11.02	13465	1685	13.62	13752									
	9000	5000	1153	4.99	17457	1225	6.04	17340	1356	8.18	16645	1480	10.44	15869	1603	12.86	15326	1728	15.51	15152	1854	18.39	15336						
	10000	5556	1265	6.57	19385	1331	7.73	19344	1453	10.10	18832	1566	12.52	18104	1677	15.09	17453	1789	17.85	17024	1901	20.77	16847						
	12000	6667	1492	10.74	23210	1550	12.14	23281	1656	14.93	23043	1755	17.78	22527	1850	20.71	21930	1943	23.73	21345									
	14000	7778	1723	16.50	27037	1773	18.10	27149	1868	21.36	27090	1956	24.63	26773															
	16000	8889	1955	24.05	30845	2000	25.90	30989																					

Performance certified is for installation Type A: Free inlet, Free outlet. Power rating (Bhp) does not include transmission losses. Performance ratings do not include the effects of cross winds. Performance ratings do not include the effects of appurtenances (accessories).

270 AIR PERFORMANCE

OUTLET AREA = 12.05 SQ.FT.

Model	CFM	OV	0.5"SP			1"SP			2"SP			3"SP			4"SP			5"SP			6"SP			7"SP			7.5"SP		
			RPM	BHP	WB FLOW	RPM	BHP	WB FLOW	RPM	BHP	WB FLOW	RPM	BHP	WB FLOW	RPM	BHP	WB FLOW	RPM	BHP	WB FLOW	RPM	BHP	WB FLOW	RPM	BHP	WB FLOW	RPM	BHP	WB FLOW
270-LV	8000	2135	702	1.79	14516	799	2.72	14336	959	4.65	13352																		
	8800	2348	753	2.19	15954	844	3.18	15904	996	5.27	15015	1135	7.52	14467															
	9600	2561	804	2.65	17356	890	3.70	17415	1036	5.95	16711	1166	8.33	15958	1293	10.91	15823												
	11200	2988	913	3.84	20207	986	4.97	20332	1123	7.55	20040	1241	10.21	19298	1351	12.98	18658	1460	15.94	18417									
	12800	3415	1025	5.39	23034	1087	6.58	23186	1214	9.45	23182	1325	12.44	22673	1426	15.49	21995	1523	18.66	21433	1618	21.96	21096	1714	25.49	21091	1762	27.32	21209
	14400	3842	1141	7.39	25895	1193	8.62	26032	1308	11.69	26171	1414	15.03	25914	1509	18.38	25387	1599	21.84	24784	1685	25.36	24248	1770	29.02	23863			
	16000	4269	1257	9.84	28716	1302	11.12	28860	1405	14.36	29061	1505	17.97	29004	1597	21.70	28669	1682	25.46	28182	1763	29.29	27636						
	17600	4696	1376	12.86	31580	1414	14.17	31695	1505	17.50	31905	1600	21.41	31992	1688	25.46	31830	1769	29.52	31463									
	19200	5123	1494	16.42	34399	1529	17.83	34552	1609	21.23	34742	1696	25.30	34872															
	20800	5550	1614	20.66	37255	1645	22.13	37397	1716	25.61	37581																		
270-MV	6500	2305	645	1.43	11738	746	2.21	10950	935	3.99	10346																		
	7450	2642	709	1.88	13602	801	2.75	13003	967	4.64	11856																		
	8400	2979	774	2.43	15371	861	3.41	15007	1012	5.46	13785	1158	7.75	13289															
	9350	3316	841	3.10	17115	923	4.18	16929	1063	6.40	15833	1195	8.81	14972	1326	11.47	14835												
	11250	3989	979	4.84	20541	1051	6.11	20575	1178	8.75	19925	1291	11.45	18961	1400	14.30	18192	1509	17.38	17819	1619	20.71	17917						
	13150	4663	1121	7.22	23933	1184	8.65	24076	1300	11.69	23793	1403	14.78	23072	1500	17.97	22249	1593	21.25	21520	1686	24.71	21034	1779	28.36	20803			
	15050	5337	1266	10.36	27320	1321	11.93	27507	1428	15.38	27495	1524	18.89	27038	1612	22.42	26356	1697	26.06	25648	1779	29.78	24961						
	16950	6011	1413	14.35	30704	1462	16.08	30918	1559	19.87	31044	1649	23.79	30822	1732	27.75	30354												
	18850	6684	1561	19.30	34086	1604	21.15	34288	1693	25.28	34522	1777	29.59	34452															
	20750	7358	1710	25.33	37468	1749	27.33	37685																					
270-HV	5000	2439	594	1.11	9276	717	1.80	8677																					
	6000	2927	667	1.59	11503	770	2.35	10715	977	4.22	10727																		
	7000	3415	746	2.22	13666	835	3.07	12960	1011	5.03	12151																		
	8000	3902	827	3.02	15755	907	3.98	15203	1061	6.07	14112	1216	8.50	13960															
	9000	4390	910	4.02	17787	984	5.10	17406	1121	7.34	16302	1257	9.85	15660	1396	12.70	15787												
	10000	4878	995	5.25	19803	1063	6.43	19547	1188	8.86	18559	1310	11.49	17708	1434	14.42	17365	1559	17.64	17569									
	12000	5854	1168	8.46	23777	1226	9.84	23683	1335	12.71	23030	1438	15.67	22173	1540	18.83	21442	1642	22.18	20969	1746	25.81	20842						
	14000	6829	1343	12.82	27699	1395	14.46	27726	1491	17.74	27335	1582	21.11	26672	1670	24.58	25924	1758	28.24	25270									
	16000	7805	1521	18.59	31628	1567	20.44	31701	1654	24.19	31512	1736	27.99	31046															
	18000	8780	1700	25.92	35536	1741	27.98	35647																					
270-XV	3500	2188	547	0.76	7194																								
	4550	2844	617	1.18	9495	754	1.92	9453																					
	5600	3500	703	1.81	11967	813	2.61	11522																					
	6650	4156	797	2.67	14417	889	3.56	13934	1076	5.67	13738																		
	7700	4813	895	3.81	16809	975	4.80	16411	1135	7.04	15819	1298	9.69	16080															
	8750	5469	997	5.28	19192	1067	6.37	18870	1207	8.77	18171	1350	11.53	17974	1493	14.64	18349												
	9800	6125	1100	7.10	21527	1164	8.33	21314	1288	10.91	20633	1414	13.77	20183	1542	16.97	20164	1670	20.51	20545									
	11900	7438	1311	12.04	26182	1364	13.50	26083	1467	16.51	25591	1570	19.72	25043	1673	23.13	24618	1778	26.84	24444									
	14000	8750	1525	18.97	30805	1570	20.65	30768	1659	24.14	30468	1746	27.73	29994															
	16100	10063	1741	28.23	35415	1780	30.14	35422																					

Performance certified is for installation Type A: Free inlet, Free outlet. Power rating (Bhp) does not include transmission losses. Performance ratings do not include the effects of cross winds. Performance ratings do not include the effects of appurtenances (accessories).

300 AIR PERFORMANCE

OUTLET AREA = 14.89 SQ.FT.

Model	CFM	OV	0.5"SP			1"SP			2"SP			3"SP			4"SP			5"SP			6"SP			7"SP			7.75"SP				
			RPM	BHP	WB FLOW	RPM	BHP	WB FLOW	RPM	BHP	WB FLOW	RPM	BHP	WB FLOW	RPM	BHP	WB FLOW	RPM	BHP	WB FLOW	RPM	BHP	WB FLOW	RPM	BHP	WB FLOW	RPM	BHP	WB FLOW		
300-LV	10000	2161	638	2.27	18157	724	3.42	17934	867	5.83	16726	1003	8.54	16561																	
	12000	2593	731	3.37	21698	808	4.69	21795	938	7.48	20940	1054	10.44	19996	1167	13.65	19753														
	14000	3026	830	4.88	25235	895	6.28	25403	1018	9.52	25092	1123	12.82	24183	1221	16.26	23370	1318	19.93	23014											
	16000	3458	933	6.88	28793	988	8.36	28983	1101	11.92	28995	1200	15.64	28389	1290	19.43	27560	1377	23.39	26855	1462	27.52	26415	1547	31.88	26337	1611	35.31	26545		
	18000	3890	1038	9.42	32342	1084	10.94	32511	1187	14.78	32716	1281	18.90	32414	1367	23.14	31807	1447	27.42	31077	1524	31.82	30391	1600	36.39	29908					
	20000	4322	1145	12.59	35903	1184	14.15	36058	1275	18.15	36301	1365	22.68	36266	1447	27.32	35882	1523	32.00	35296	1596	36.82	34642								
	22000	4755	1253	16.44	39464	1287	18.08	39619	1367	22.18	39861	1451	27.01	39966	1530	32.07	39793	1604	37.24	39418											
	24000	5187	1361	21.02	43006	1391	22.72	43159	1462	26.95	43403	1540	32.04	43594	1615	37.43	43571														
	26000	5619	1470	26.43	46556	1497	28.22	46721	1560	32.55	46957																				
	28000	6051	1579	32.70	50109	1604	34.62	50276																							
300-MV	8000	2500	591	1.87	14583	680	2.82	13582	851	5.05	12852																				
	9050	2828	645	2.41	16703	727	3.48	15901	878	5.82	14518																				
	11150	3484	755	3.83	20690	828	5.13	20327	955	7.81	18867	1077	10.76	17902	1201	14.10	17988														
	13250	4141	870	5.81	24583	935	7.34	24501	1049	10.46	23465	1153	13.70	22223	1256	17.21	21395	1359	20.99	21171											
	15350	4797	987	8.44	28397	1046	10.20	28510	1150	13.76	27892	1244	17.41	26830	1334	21.22	25790	1422	25.19	24982	1511	29.46	24572	1601	34.02	24576					
	17450	5453	1107	11.86	32216	1159	13.79	32394	1256	17.85	32139	1343	21.95	31362	1424	26.10	30390	1503	30.41	29455	1581	34.90	28683								
	19550	6109	1228	16.14	36013	1275	18.27	36245	1365	22.79	36232	1446	27.33	35710	1522	31.95	34946	1594	36.61	34059											
	21650	6766	1350	21.39	39803	1393	23.73	40076	1476	28.67	40216	1552	33.66	39906																	
	23750	7422	1473	27.73	43602	1512	30.25	43879	1589	35.60	44126																				
	25850	8078	1597	35.30	47416																										
300-HV	5500	2200	504	1.13	9997	629	1.95	9728																							
	6650	2660	562	1.60	12577	664	2.48	11686																							
	7800	3120	625	2.21	15111	713	3.19	14171	890	5.54	13795																				
	8950	3580	692	3.00	17584	770	4.09	16772	923	6.56	15658	1078	9.52	16203																	
	11250	4500	832	5.21	22341	897	6.54	21877	1019	9.35	20539	1140	12.47	19725	1264	16.03	19817														
	13550	5420	976	8.38	26954	1032	9.96	26744	1137	13.24	25748	1237	16.67	24646	1338	20.43	23916	1439	24.45	23673	1542	28.88	23950								
	15850	6340	1123	12.73	31518	1173	14.59	31484	1265	18.33	30814	1353	22.23	29864	1438	26.25	28917	1524	30.55	28208	1610	35.08	27794								
	18150	7260	1272	18.46	36058	1316	20.55	36100	1399	24.81	35717	1478	29.19	34989	1554	33.66	34138														
	20450	8180	1422	25.75	40574	1462	28.12	40687	1538	32.93	40504	1609	37.75	39977																	
	22750	9100	1574	34.87	45119	1610	37.49	45256																							
300-XV	4000	2222	499	0.92	9005																										
	5175	2875	555	1.40	11512	688	2.33	11888																							
	6350	3528	626	2.09	14320	735	3.10	14112																							
	7525	4181	705	3.06	17159	796	4.15	16759	980	6.81	17160																				
	8700	4833	789	4.34	19977	867	5.53	19568	1027	8.34	19387	1183	11.68	20166																	
	9875	5486	876	5.98	22761	944	7.28	22407	1084	10.25	21935	1225	13.72	22209																	
	12225	6792	1054	10.49	28243	1110	12.07	28065	1221	15.43	27489	1334	19.17	27157	1448	23.32	27247	1561	27.87	27708											
	14575	8097	1237	17.01	33700	1284	18.85	33619	1377	22.70	33183	1471	26.85	32725	1566	31.31	32435														
	16925	9403	1423	25.94	39147	1463	28.03	39118	1543	32.37	38816																				
	19275	10708	1610	37.61	44578																										

Performance certified is for installation Type A: Free inlet, Free outlet. Power rating (Bhp) does not include transmission losses. Performance ratings do not include the effects of cross winds. Performance ratings do not include the effects of appurtenances (accessories).

330 AIR PERFORMANCE

OUTLET AREA = 18.03 SQ.FT.

Model	CFM	OV	0.5"SP			1"SP			2"SP			3"SP			4"SP			5"SP			6"SP			7"SP			7.5"SP			
			RPM	BHP	WB FLOW	RPM	BHP	WB FLOW	RPM	BHP	WB FLOW	RPM	BHP	WB FLOW	RPM	BHP	WB FLOW	RPM	BHP	WB FLOW	RPM	BHP	WB FLOW	RPM	BHP	WB FLOW	RPM	BHP	WB FLOW	
330-LV	11500	2054	560	2.49	20900	640	3.82	20507	774	6.62	19042																			
	13850	2474	641	3.67	25080	713	5.21	25094	834	8.46	23927	943	11.93	22879	1051	15.76	22974													
	16200	2893	727	5.30	29239	789	6.96	29419	903	10.72	28864	1001	14.59	27692	1093	18.62	26810	1186	23.05	26681										
	18550	3313	817	7.45	33413	869	9.19	33612	975	13.38	33520	1067	17.73	32666	1151	22.17	31633	1232	26.80	30841	1313	31.74	30508	1394	36.97	30711				
	20900	3733	909	10.21	37583	953	12.01	37775	1050	16.54	37952	1138	21.40	37493	1217	26.31	36636	1291	31.30	35710	1364	36.54	34973	1435	41.91	34481	1489	46.16	34377	
	23250	4153	1003	13.65	41768	1041	15.53	41968	1127	20.26	42216	1211	25.59	42084	1287	31.02	41514	1357	36.47	40709	1424	42.04	39881	1490	47.83	39162				
	25600	4572	1097	17.79	45909	1130	19.75	46109	1207	24.67	46414	1286	30.39	46490	1359	36.30	46180	1427	42.32	45611	1490	48.28	44874							
	27950	4992	1193	22.82	50104	1222	24.86	50300	1290	29.90	50597	1363	35.89	50770	1433	42.26	50680													
	30300	5412	1289	28.72	54280	1315	30.86	54478	1375	35.99	54745	1443	42.29	55014																
	32650	5832	1385	35.57	58446	1409	37.84	58659	1463	43.14	58934																			
330-MV	8000	2424	496	1.77	14680	589	2.82	13493																						
	9275	2811	546	2.38	17444	628	3.53	16207	791	6.29	15812																			
	11825	3583	653	4.05	22747	721	5.46	21887	848	8.51	20156	976	12.05	19949																
	14375	4356	765	6.48	27791	824	8.16	27353	931	11.64	25731	1035	15.43	24458	1140	19.65	24094	1247	24.38	24699										
	16925	5129	879	9.78	32697	932	11.77	32571	1027	15.79	31406	1116	19.96	29996	1205	24.48	28931	1293	29.25	28391	1383	34.48	28483	1474	40.16	29132				
	19475	5902	996	14.18	37582	1043	16.44	37607	1129	21.00	36875	1209	25.69	35695	1287	30.60	34505	1363	35.66	33510	1440	41.06	32875							
	22025	6674	1115	19.84	42464	1157	22.36	42577	1236	27.52	42188	1309	32.73	41291	1379	38.07	40213	1447	43.55	39131										
	24575	7447	1234	26.85	47296	1273	29.69	47503	1345	35.36	47325	1413	41.17	46704	1477	46.99	45804													
	27125	8220	1354	35.41	52131	1390	38.56	52385	1457	44.83	52390																			
	29675	8992	1475	45.73	56983																									
330-HV	6000	2400	465	1.35	11956	591	2.40	12492																						
	7300	2920	516	1.93	14936	620	3.04	14491																						
	8600	3440	574	2.71	17954	661	3.90	17141	838	6.88	17809																			
	9900	3960	636	3.72	20940	712	5.03	20132	865	8.10	19723																			
	12500	5000	767	6.57	26755	828	8.14	26200	948	11.57	25033	1070	15.53	24836	1192	20.07	25640													
	15100	6040	903	10.74	32450	954	12.59	32111	1053	16.46	31024	1153	20.75	30183	1254	25.46	29931	1355	30.62	30289	1456	36.32	31131							
	17700	7080	1042	16.51	38082	1086	18.64	37908	1172	23.09	37111	1256	27.75	36163	1341	32.77	35447	1427	38.18	35106										
	20300	8120	1183	24.17	43686	1222	26.61	43627	1297	31.56	43055	1371	36.75	42240	1445	42.21	41457													
	22900	9160	1325	33.95	49267	1360	36.70	49277	1427	42.21	48905																			
	25500	10200	1468	46.17	54852																									
330-XV	5000	2500	477	1.29	12137																									
	6225	3113	526	1.86	14895	647	3.05	15490																						
	7450	3725	585	2.67	17891	688	3.94	17972																						
	8675	4338	651	3.77	20980	738	5.11	20778	911	8.46	21659																			
	9900	4950	719	5.15	24010	796	6.64	23767	950	10.12	24067																			
	12350	6175	864	9.09	30075	924	10.79	29855	1048	14.67	29598	1171	19.09	29943	1290	24.07	30773													
	14800	7400	1013	14.76	36060	1064	16.78	35974	1166	21.10	35610	1269	25.88	35477	1372	31.14	35737	1473	36.88	36317										
	17250	8625	1165	22.55	42022	1209	24.88	42015	1296	29.71	41722	1384	34.93	41445	1472	40.50	41335													
	19700	9850	1319	32.81	47979	1357	35.40	47999	1433	40.78	47806																			
	22150	11075	1474	45.87	53925																									

Performance certified is for installation Type A: Free inlet, Free outlet. Power rating (Bhp) does not include transmission losses. Performance ratings do not include the effects of cross winds. Performance ratings do not include the effects of appurtenances (accessories).

365 AIR PERFORMANCE

OUTLET AREA = 16.65 SQ.FT.

Model	CFM	OV	0.5"SP			1"SP			2"SP			3"SP			4"SP			5"SP			6"SP			7"SP			8"SP		
			RPM	BHP	WB FLOW	RPM	BHP	WB FLOW	RPM	BHP	WB FLOW	RPM	BHP	WB FLOW	RPM	BHP	WB FLOW	RPM	BHP	WB FLOW	RPM	BHP	WB FLOW	RPM	BHP	WB FLOW	RPM	BHP	WB FLOW
365-LV	15000	2190	514	3.13	21941	586	4.76	21635	704	8.27	19684	816	12.30	19063															
	18200	2657	593	4.74	26470	657	6.62	26654	766	10.72	25447	860	15.07	23828	952	19.86	23079	1045	25.16	23621									
	21400	3124	677	6.96	30957	731	9.00	31300	833	13.68	30942	920	18.59	29579	1000	23.74	28199	1078	29.21	27317	1156	35.08	27184	1236	41.51	27873			
	24600	3592	766	9.97	35520	809	12.07	35831	904	17.30	36024	986	22.77	35208	1060	28.44	33969	1129	34.24	32702	1198	40.47	31771	1266	46.98	31270	1334	53.82	31276
	27800	4059	857	13.85	40060	892	16.03	40349	976	21.57	40751	1055	27.66	40474	1126	33.95	39635	1191	40.33	38516	1253	46.89	37382	1314	53.75	36411			
	31000	4526	949	18.68	44578	978	20.94	44871	1051	26.71	45320	1126	33.35	45413	1194	40.20	44966	1257	47.24	44171	1315	54.27	43158						
	34200	4993	1041	24.54	49062	1067	26.99	49415	1129	32.86	49831	1199	39.97	50139	1265	47.46	50040	1325	54.99	49528									
	37400	5460	1135	31.67	53614	1157	34.19	53932	1211	40.26	54365	1273	47.51	54685	1336	55.52	54811												
	40600	5928	1228	39.98	58099	1248	42.69	58440	1296	49.03	58916																		
	43800	6395	1322	49.76	62616																								
365-MV	11000	2157	446	2.11	14766	525	3.42	13200	680	6.66	12879																		
	14300	2804	532	3.53	19765	599	5.13	18859	719	8.67	16630	837	12.80	16277															
	17600	3451	622	5.59	24325	683	7.53	24097	786	11.58	22246	882	16.03	20527	977	20.91	19849	1075	26.47	20449									
	20900	4098	715	8.43	28723	770	10.70	28910	864	15.37	27824	948	20.30	26123	1028	25.50	24612	1109	31.22	23758	1190	37.32	23632	1273	44.03	24250			
	24200	4745	811	12.23	33066	860	14.79	33454	948	20.17	33053	1025	25.70	31795	1096	31.37	30280	1166	37.41	28940	1235	43.74	27937	1304	50.41	27392			
	27500	5392	909	17.16	37412	952	19.95	37877	1034	26.00	37955	1106	32.15	37158	1172	38.43	35947	1235	44.91	34629	1297	51.70	33397						
	30800	6039	1009	23.39	41779	1047	26.42	42268	1122	33.02	42612	1191	39.92	42256	1253	46.81	41385	1312	53.91	40293									
	34100	6686	1109	30.98	46106	1143	34.25	46606	1213	41.52	47172	1278	49.06	47114	1337	56.60	46570												
	37400	7333	1211	40.26	50489	1241	43.71	50959	1305	51.48	51618																		
	40700	7980	1312	51.11	54814																								
365-HV	8000	2266	411	1.61	10127	518	2.86	9739																					
	9550	2705	453	2.20	12682	541	3.52	11517																					
	12650	3584	549	3.95	17666	616	5.50	16524	750	9.14	15180	887	13.66	16060															
	15750	4462	653	6.64	22330	708	8.46	21609	815	12.51	19823	923	17.15	18916	1033	22.49	19276												
	18850	5340	760	10.44	26786	808	12.59	26454	898	17.13	24989	987	22.12	23543	1077	27.62	22725	1169	33.73	22686	1262	40.51	23304						
	21950	6218	869	15.57	31161	912	18.08	31096	991	23.19	30072	1068	28.68	28711	1144	34.50	27489	1222	40.88	26690	1300	47.65	26352						
	25050	7096	981	22.35	35545	1019	25.18	35605	1090	30.92	34972	1158	36.91	33867	1225	43.22	32664	1292	49.89	31584									
	28150	7975	1093	30.88	39876	1127	34.00	40012	1192	40.42	39688	1254	47.04	38874	1314	53.85	37833												
	31250	8853	1206	41.44	44207	1237	44.89	44393	1297	52.01	44294																		
	34350	9731	1319	54.17	48507																								
365-XV	6000	2182	404	1.32	8546																								
	7500	2727	440	1.86	10703	555	3.24	10975																					
	9000	3273	486	2.61	13162	582	4.06	12765																					
	12000	4364	594	4.91	18123	664	6.58	17431	808	10.59	17103	947	15.50	18056															
	15000	5455	711	8.51	22911	767	10.47	22433	880	14.86	21454	996	20.01	21342	1109	25.84	21952												
	18000	6545	832	13.69	27553	879	15.98	27305	972	20.86	26379	1067	26.33	25689	1164	32.47	25547	1260	39.20	25884									
	21000	7636	957	20.87	32181	997	23.46	32070	1076	28.88	31369	1157	34.87	30592	1239	41.35	30029	1321	48.26	29792									
	24000	8727	1082	30.19	36730	1118	33.18	36747	1187	39.21	36270	1257	45.68	35580	1328	52.62	34918												
	27000	9818	1209	42.14	41300	1241	45.47	41371	1303	52.18	41090																		
	30000	10909	1337	57.01	45870																								

Performance certified is for installation Type A: Free inlet, Free outlet. Power rating (Bhp) does not include transmission losses. Performance ratings do not include the effects of cross winds. Performance ratings do not include the effects of appurtenances (accessories).

402 AIR PERFORMANCE

OUTLET AREA = 20.21 SQ.FT.

Model	CFM	OV	0.5" SP			1" SP			2" SP			3" SP			4" SP			5" SP			6" SP			6.5" SP			6.75" SP			
			RPM	BHP	WB FLOW	RPM	BHP	WB FLOW	RPM	BHP	WB FLOW	RPM	BHP	WB FLOW	RPM	BHP	WB FLOW	RPM	BHP	WB FLOW	RPM	BHP	WB FLOW	RPM	BHP	WB FLOW	RPM	BHP	WB FLOW	
402-LV	18000	2161	461	3.69	26287	528	5.69	25950	636	9.93	23523	739	14.82	22954																
	21400	2569	523	5.31	31127	583	7.56	31301	683	12.40	29602	771	17.63	27723	857	23.37	27160	946	29.93	28363										
	24800	2978	590	7.54	35972	641	9.93	36295	736	15.43	35585	816	21.15	33746	891	27.22	32130	966	33.85	31473	1041	40.98	31883	1079	44.79	32501	1099	46.86	32931	
	28200	3386	659	10.40	40774	702	12.92	41143	791	18.98	41117	867	25.32	39837	936	31.90	38162	1002	38.80	36755	1068	46.21	35938	1100	49.95	35763				
	31600	3794	730	14.02	45568	766	16.64	45962	847	23.10	46281	921	30.16	45639	986	37.28	44280	1048	44.78	42841										
	35000	4202	802	18.47	50357	833	21.22	50779	905	27.96	51220	976	35.62	51084	1040	43.54	50228	1098	51.50	48966										
	38400	4610	875	23.86	55163	901	26.66	55536	966	33.77	56129	1033	41.93	56281	1095	50.50	55850													
	41800	5019	949	30.31	59981	972	33.26	60390	1028	40.43	60907	1091	49.08	61273																
	45200	5427	1023	37.83	64790	1043	40.87	65165	1093	48.30	65724																			
	48600	5835	1097	46.51	69576																									
402-MV	15000	2174	425	2.95	20818	493	4.66	19299	617	8.62	17382																			
	18500	2681	490	4.46	25871	552	6.51	25265	656	10.89	22550	756	15.90	21439																
	22000	3188	558	6.52	30665	615	8.92	30659	710	13.93	28726	795	19.31	26565	879	25.24	25529	965	31.91	26017										
	25500	3696	629	9.27	35364	680	11.94	35707	769	17.64	34629	846	23.56	32613	919	29.84	30812	992	36.68	29779	1065	44.00	29651	1102	47.89	29952				
	29000	4203	703	12.86	40059	748	15.78	40566	832	22.17	40218	904	28.73	38743	970	35.49	36910	1034	42.61	35294	1098	50.21	34177							
	32500	4710	778	17.35	44732	817	20.43	45245	896	27.50	45453	964	34.67	44489	1027	42.15	43040	1086	49.81	41418										
	36000	5217	855	22.93	49442	889	26.18	49974	961	33.71	50434	1027	41.67	49985	1087	49.81	48932													
	39500	5725	932	29.60	54114	962	33.02	54644	1028	41.04	55278	1091	49.66	55207																
	43000	6232	1010	37.56	58820	1037	41.20	59345	1097	49.63	60067																			
	46500	6739	1088	46.85	63497																									
402-HV	11000	2245	382	2.16	13970	466	3.66	12567																						
	14350	2929	451	3.57	19466	517	5.31	17745	648	9.51	16455																			
	17700	3612	527	5.67	24527	583	7.71	23381	688	12.24	20861	794	17.55	20254																
	21050	4296	605	8.53	29250	655	10.93	28714	745	15.96	26410	833	21.57	24563	922	27.84	24009	1013	34.93	24743										
	24400	4980	686	12.39	33923	731	15.13	33764	811	20.75	32060	887	26.78	30022	963	33.36	28518	1040	40.55	27861										
	27750	5663	768	17.33	38525	808	20.36	38550	882	26.71	37471	950	33.26	35687	1017	40.28	33970	1084	47.78	32631										
	31100	6347	850	23.44	43013	888	26.94	43296	956	33.94	42658	1019	41.19	41284	1079	48.65	39649													
	34450	7031	934	31.04	47559	968	34.80	47892	1032	42.59	47657	1090	50.40	46621																
	37800	7714	1018	40.14	52069	1050	44.32	52486																						
	41150	8398	1103	51.01	56600																									
402-XV	8000	2222	366	1.70	10702																									
	9480	2633	393	2.22	12973	494	3.86	12982																						
	12440	3456	462	3.76	17882	537	5.55	16815	689	10.08	17484																			
	15400	4278	540	6.09	22663	600	8.11	21662	723	12.90	20625	845	18.69	21540																
	18360	5100	622	9.35	27254	672	11.62	26519	774	16.81	25000	878	22.84	24619	981	29.73	25375													
	21320	5922	707	13.75	31748	751	16.36	31298	837	21.95	29837	926	28.35	28803	1015	35.38	28574	1105	43.31	29131										
	24280	6744	793	19.41	36168	832	22.34	35930	908	28.50	34759	985	35.29	33531	1063	42.69	32742													
	27240	7567	881	26.62	40587	916	29.87	40488	984	36.62	39606	1052	43.86	38450																
	30200	8389	970	35.53	45006	1001	39.02	44974	1063	46.41	44359																			
	33160	9211	1059	46.23	49382	1088	50.13	49447																						

Performance certified is for installation Type A: Free inlet, Free outlet. Power rating (Bhp) does not include transmission losses. Performance ratings do not include the effects of cross winds. Performance ratings do not include the effects of appurtenances (accessories).

445 AIR PERFORMANCE

OUTLET AREA = 24.71 SQ.FT.

Model	CFM	OV	0.5"SP			1"SP			1.5"SP			2"SP			3"SP			4"SP			5"SP			6"SP			6.75"SP		
			RPM	BHP	WB FLOW	RPM	BHP	WB FLOW	RPM	BHP	WB FLOW	RPM	BHP	WB FLOW	RPM	BHP	WB FLOW	RPM	BHP	WB FLOW	RPM	BHP	WB FLOW	RPM	BHP	WB FLOW	RPM	BHP	WB FLOW
445-LV	18000	1768	367	3.12	26305	432	5.19	24665	489	7.39	23131	546	9.88	22919															
	22600	2220	425	4.76	32979	485	7.27	32664	535	9.85	31278	581	12.55	29770	671	18.51	28653												
	27200	2672	488	7.11	39487	541	9.95	39867	588	12.97	39242	630	16.07	38114	707	22.56	35669	782	29.69	34523	858	37.61	35217						
	31800	3124	556	10.38	46053	599	13.34	46453	643	16.76	46516	683	20.30	45960	754	27.57	43888	820	35.25	41880	884	43.39	40571	948	52.11	40378	998	59.36	41086
	36400	3575	626	14.67	52563	661	17.75	52965	701	21.50	53335	739	25.46	53248	807	33.64	52030	867	41.91	50136	925	50.70	48316	981	59.82	46929			
	41000	4027	698	20.17	59081	727	23.39	59505	761	27.25	59872	796	31.53	60038	862	40.67	59677	920	49.91	58339	973	59.24	56638						
	45600	4479	770	26.90	65522	795	30.32	66011	824	34.31	66373	856	38.90	66711	918	48.72	66794	974	58.83	66072									
	50200	4931	844	35.24	72055	865	38.77	72508	890	42.91	72865	918	47.63	73223	975	57.95	73554												
	54800	5383	918	45.17	78550	937	48.97	79074	958	53.14	79382	982	57.90	79675															
	59400	5834	992	56.81	85023																								
445-MV	15000	2174	355	2.88	19641	423	4.73	17239	493	6.98	16925																		
	19300	2797	418	4.66	26344	475	6.89	24509	528	9.29	22630	581	11.94	21628	691	18.27	22889												
	23600	3420	485	7.21	32519	536	9.88	31651	581	12.60	29925	625	15.53	28344	712	21.97	26508	801	29.38	27011									
	27900	4043	554	10.68	38400	601	13.84	38239	642	17.00	37172	680	20.21	35722	754	27.14	33069	827	34.69	31482	902	43.13	31355	978	52.45	32576			
	32200	4667	625	15.26	44144	667	18.80	44356	705	22.39	43783	741	26.13	42890	807	33.72	40437	870	41.69	38150	934	50.42	36660	998	59.72	36055			
	36500	5290	698	21.19	49885	736	25.12	50318	771	29.13	50141	804	33.24	49565	865	41.62	47684	923	50.41	45535	979	59.52	43543						
	40800	5913	771	28.47	55526	806	32.85	56170	839	37.35	56266	870	41.91	56000	927	51.12	54689	980	60.53	52854									
	45100	6536	845	37.41	61192	877	42.18	61893	908	47.15	62209	937	52.13	62181	991	62.22	61351												
	49400	7159	920	48.20	66876	949	53.31	67590	978	58.72	68038																		
	53700	7783	995	60.89	72530																								
445-HV	11000	2245	333	2.25	14024	428	4.12	14325																					
	14800	3020	391	3.80	20283	461	5.87	18624	532	8.31	18628																		
	18600	3796	460	6.25	26367	515	8.59	24832	570	11.19	23544	627	14.15	23167	740	21.01	24553												
	22400	4571	532	9.68	32160	579	12.40	31115	624	15.25	29759	670	18.37	28664	764	25.42	27917	858	33.51	28927									
	26200	5347	608	14.44	37793	648	17.48	37140	687	20.67	36032	726	24.05	34916	805	31.47	33191	885	39.73	32637	966	48.98	33260						
	30000	6122	684	20.54	43280	720	24.00	42938	755	27.60	42215	789	31.29	41210	857	39.16	39293	926	47.79	37923	996	57.20	37367						
	33800	6898	762	28.37	48774	795	32.31	48689	826	36.22	48167	857	40.34	47439	917	48.77	45652	978	57.94	44010									
	37600	7673	841	38.11	54238	870	42.31	54244	899	46.73	53953	927	51.18	53408	982	60.41	51958												
	41400	8449	920	49.85	59656	947	54.53	59777	973	59.23	59604	999	64.11	59246															
	45200	9224	999	63.79	65023																								
445-XV	8000	2222	340	1.96	12946																								
	9700	2694	363	2.58	15362	463	4.66	16232																					
	13100	3639	423	4.45	20845	504	6.78	20783	580	9.50	21460																		
	16500	4583	496	7.44	26618	560	10.04	26180	624	13.00	26169	686	16.30	26596															
	19900	5528	575	11.78	32301	627	14.69	31855	680	17.91	31548	733	21.41	31469	836	29.31	32149	931	38.22	33208									
	23300	6472	656	17.65	37843	701	20.99	37611	745	24.44	37193	791	28.29	36943	882	36.69	36954	970	46.04	37580									
	26700	7417	740	25.47	43374	779	29.19	43298	817	32.96	42945	857	37.14	42654	936	45.98	42245												
	30100	8361	825	35.41	48888	859	39.45	48882	893	43.65	48653	928	48.14	48383	998	57.61	47863												
	33500	9306	911	47.79	54380	942	52.31	54475	972	56.81	54316																		
	36900	10250	998	62.92	59890																								

Performance certified is for installation Type A: Free inlet, Free outlet. Power rating (Bhp) does not include transmission losses. Performance ratings do not include the effects of cross winds. Performance ratings do not include the effects of appurtenances (accessories).

122 SOUND PERFORMANCE (PART 1 OF 2)

Model	RPM	Nominal Ps	INLET SOUND POWER BY OCTAVE BANDS dB Lwi							LwiA	
			63	125	250	500	1000	2000	4000		8000
122-LV	800	0.00	54	56	59	56	50	44	36	29	57
		0.14	51	54	57	54	47	41	34	27	54
		0.21	51	53	56	53	45	40	34	28	53
		0.26	51	54	56	53	45	40	34	29	53
		0.33	52	54	56	52	44	40	35	30	53
		0.00	70	71	72	76	74	68	62	54	78
	1750	0.66	67	68	70	74	72	64	59	52	75
		0.99	67	67	70	73	71	63	58	52	75
		1.22	67	68	70	73	71	62	58	52	74
		1.56	67	69	71	73	71	61	58	53	74
		0.00	77	77	79	81	82	78	71	64	85
		1.24	74	75	77	79	80	75	68	62	83
	2400	1.86	73	74	77	79	79	73	67	61	82
		2.30	74	74	77	79	79	73	67	62	82
		2.94	74	75	78	79	79	72	66	62	82
		0.00	83	83	84	89	89	87	80	74	93
		2.20	81	81	81	87	87	84	77	71	90
		3.30	80	80	81	86	86	83	75	70	90
	3200	4.09	80	80	81	86	86	83	75	70	90
		5.23	80	81	82	86	86	83	74	70	90
		0.00	89	89	89	95	94	94	89	82	99
		3.74	86	86	87	93	92	91	85	79	97
		5.61	85	85	86	92	91	91	84	78	96
		6.95	86	86	87	92	91	91	83	78	96
4171	8.89	86	86	87	92	92	90	82	78	96	
	0.00	52	54	56	54	48	43	40	36	55	
	0.13	51	53	55	53	45	41	36	32	53	
	0.19	51	53	55	52	44	40	35	30	53	
	0.24	51	54	56	53	45	40	35	29	53	
	0.32	52	55	56	53	45	40	34	29	53	
122-MV	800	0.00	73	69	71	73	72	65	61	57	76
		0.63	72	67	70	72	71	63	58	54	74
		0.93	71	67	70	72	71	62	58	53	74
		1.17	72	68	71	73	71	62	58	52	74
		1.52	73	69	72	73	71	62	58	52	75
		0.00	80	77	77	79	80	75	69	65	83
1750	1.18	79	76	77	78	79	73	67	63	82	
	1.75	78	76	77	78	78	73	67	62	81	
	2.19	79	77	78	79	79	73	67	62	82	
	2.86	80	77	79	80	79	73	67	62	82	
	0.00	86	85	82	86	86	84	78	73	91	
	2.10	85	84	81	86	85	83	75	71	89	
2400	3.12	85	84	81	85	85	83	74	70	89	
	3.90	85	85	81	86	86	83	75	70	89	
	5.09	86	85	82	87	86	83	75	70	90	
	0.00	92	92	88	92	92	92	86	81	97	
	3.57	91	91	87	91	91	90	84	78	96	
	5.30	90	90	87	91	91	90	83	78	95	
3200	6.62	91	91	88	92	91	90	83	78	96	
	8.65	92	92	89	92	92	91	83	78	96	
	0.00	51	53	55	53	46	43	41	39	54	
	0.12	50	53	55	52	45	41	37	33	53	
	0.18	51	53	55	52	44	40	36	31	52	
	0.23	51	54	55	53	45	40	35	30	53	
122-HV	800	0.31	52	56	56	53	45	40	34	28	53
		0.00	74	68	70	72	71	64	60	58	75
		0.58	74	67	70	72	71	62	58	55	74
		0.87	74	67	70	72	70	61	58	53	74
		1.11	74	68	71	73	71	62	58	53	74
		1.48	75	69	72	73	71	63	58	52	75
1750	0.00	81	77	77	78	79	74	69	66	82	
	1.09	81	77	77	78	78	73	67	63	81	
	1.65	81	77	77	78	78	72	66	62	81	
	2.09	81	78	78	79	79	73	67	62	82	
	2.79	82	78	79	80	79	73	67	62	83	
	0.00	88	87	81	85	85	83	76	73	89	
2400	1.94	87	86	81	85	85	83	75	71	89	
	2.93	87	86	81	85	85	82	74	70	89	
	3.71	88	87	81	86	85	83	75	70	89	
	4.96	88	87	83	87	86	83	75	70	90	
	0.00	93	93	88	91	91	91	84	80	96	
	3.30	93	93	87	91	90	90	83	78	95	
3200	4.97	93	93	87	91	90	90	82	78	95	
	6.31	93	93	88	91	91	90	83	78	96	
	8.43	94	94	89	92	92	91	84	78	97	

Model	RPM	Nominal Ps	OUTLET SOUND POWER BY OCTAVE BANDS dB Lwo							LwoA	
			63	125	250	500	1000	2000	4000		8000
122-LV	800	0.00	55	56	55	55	52	45	39	33	56
		0.14	52	55	52	51	48	42	37	31	53
		0.21	51	55	51	49	47	42	37	32	52
		0.26	52	54	52	49	46	42	38	33	51
		0.33	52	54	52	48	45	43	39	35	51
		0.00	71	71	74	72	72	70	63	57	76
	1750	0.66	67	68	72	69	68	66	60	54	73
		0.99	66	67	72	69	67	64	59	54	72
		1.22	66	68	72	69	66	64	60	55	72
		1.56	66	69	71	69	66	63	60	56	71
		0.00	78	78	80	80	79	78	73	67	84
		1.24	74	74	79	78	75	74	70	64	81
	2400	1.86	73	74	79	77	74	72	69	64	80
		2.30	73	74	79	77	74	72	68	64	80
		2.94	72	74	78	77	74	71	68	65	79
		0.00	84	84	85	86	85	85	83	75	91
		2.20	80	81	82	85	82	81	78	72	88
		3.30	79	79	81	85	82	79	77	72	87
	3200	4.09	79	79	82	85	82	79	76	72	87
		5.23	79	79	82	84	82	78	75	73	87
		0.00	90	90	90	92	91	91	90	84	97
		3.74	86	86	87	90	89	87	85	80	94
		5.61	85	85	86	90	88	86	84	80	93
		6.95	85	85	86	90	88	86	83	80	93
4171	8.89	84	84	87	90	88	85	82	80	93	
	0.00	53	55	53	53	50	45	40	34	55	
	0.13	52	55	52	50	47	42	38	33	52	
	0.19	53	55	52	50	47	42	38	34	52	
	0.24	54	55	52	50	47	42	39	35	52	
	0.32	55	56	53	50	47	43	40	37	53	
122-MV	800	0.00	70	70	73	71	70	68	63	57	75
		0.63	68	69	72	69	68	65	60	55	73
		0.93	68	69	72	69	67	64	59	56	72
		1.17	69	70	73	70	67	64	60	56	73
		1.52	70	72	74	70	68	64	61	57	73
		0.00	77	77	80	78	77	76	72	67	82
1750	1.18	75	76	79	77	75	73	69	64	80	
	1.75	75	76	79	77	75	72	68	64	80	
	2.19	76	77	80	78	75	72	69	65	81	
	2.86	77	78	81	79	76	73	69	66	81	
	0.00	83	83	83	85	84	83	81	75	89	
	2.10	82	82	83	85	82	80	77	72	88	
2400	3.12	82	82	83	85	82	80	77	72	87	
	3.90	82	82	84	86	82	80	77	73	88	
	5.09	83	83	85	86	83	80	77	73	88	
	0.00	89	89	89	91	90	89	88	83	96	
	3.57	87	87	88	90	89	87	85	80	94	
	5.30	87	87	88	91	89	86	84	80	94	
3200	6.62	88	88	89	91	89	87	84	80	94	
	8.65	89	89	90	92	90	87	84	80	95	
	0.00	53	55	53	52	50	45	40	35	54	
	0.12	53	55	52	50	47	42	38	34	52	
	0.18	54	55	52	50	47	42	39	35	52	
	0.23	55	56	53	50	47	43	39	36	53	
122-HV	800	0.31	56	57	53	51	48	44	40	37	53
		0.00	69	69	72	70	69	67	63	58	74
		0.58	69	69	72	69	67	64	60	56	72
		0.87	70	70	73	69	67	64	60	56	72
		1.11	70	71	74	70	68	65	60	57	73
		1.48	72	73	75	71	69	65	61	58	74
1750	0.00	76	76	79	78	76	75	72	67	82	
	1.09	76	76	79	77	75	73	69	64	80	
	1.65	76	77	79	78	75	72	68	64	80	
	2.09	77	78	80	78	76	73	69	65	81	
	2.79	78	79	82	79	76	74	70	66	82	
	0.00	82	82	83	85	83	82	80	75	89	
2400	1.94	82	82	83	85	82	80	77	72	87	
	2.93	83	83	84	85	82	80	77	72	87	
	3.71	84	84	85	86	83	80	77	73	88	
	4.96	85	85	86	87	84	81	78	74	89	
	0.00	88	88	88	90	89	88	86	83	95	
	3.30	88	88	88	90	89	87	84	80	94	
3200	4.97	88	88	89	91	89	86	84	80	94	
	6.31	89	89	90	92	90	87	84	80	95	
	8.43	90	90	91	93	91	88	85	81		

122 SOUND PERFORMANCE (PART 2 OF 2)

Model	RPM	Nominal Ps	INLET SOUND POWER BY OCTAVE BANDS dB Lwi								LwiA
			63	125	250	500	1000	2000	4000	8000	
122-XV	800	0.00	50	53	54	53	45	43	42	42	54
		0.11	50	53	54	52	44	41	38	35	52
		0.17	51	53	54	52	44	40	36	32	52
		0.22	51	55	55	53	45	40	35	30	53
		0.30	53	56	56	53	46	40	34	28	54
		0.00	75	67	69	71	71	63	60	59	74
	1750	0.53	75	67	70	71	70	62	58	55	73
		0.82	75	67	70	72	70	61	58	54	73
		1.06	76	68	71	72	71	62	58	53	74
		1.44	77	69	73	74	71	63	58	52	75
		0.00	82	77	76	77	78	73	68	66	81
		1.00	82	77	77	78	78	72	67	64	81
	2400	1.54	83	78	77	78	78	72	66	63	81
		1.98	83	78	78	79	78	73	67	62	82
		2.71	84	79	80	80	79	74	67	61	83
		0.00	89	87	80	84	84	83	75	73	89
		1.78	88	87	80	85	84	82	74	71	88
		2.74	89	87	81	85	84	82	74	70	88
	3200	3.53	90	88	81	86	85	83	75	70	89
		4.81	90	89	83	87	86	83	76	70	90
		0.00	94	94	88	90	90	90	84	79	95
		3.03	94	94	87	90	90	90	82	78	95
		4.65	95	95	88	90	90	90	82	78	95
		5.99	95	95	89	91	91	90	83	78	96
4171	8.17	96	96	90	92	92	91	84	78	97	

Model	RPM	Nominal Ps	OUTLET SOUND POWER BY OCTAVE BANDS dB Lwo								LwoA
			63	125	250	500	1000	2000	4000	8000	
122-XV	800	0.00	52	55	52	51	49	45	40	35	54
		0.11	53	55	52	50	46	42	38	35	52
		0.17	54	55	52	50	46	42	39	36	52
		0.22	55	56	53	51	47	43	40	37	53
		0.30	57	58	54	52	48	44	41	38	54
		0.00	68	69	72	69	68	66	63	58	73
	1750	0.53	69	70	72	69	67	64	59	56	72
		0.82	70	71	73	69	67	64	60	56	72
		1.06	72	72	74	70	68	65	60	57	73
		1.44	73	74	76	71	69	66	61	58	74
		0.00	75	75	79	77	75	74	71	67	81
		1.00	76	76	79	77	75	72	68	64	80
	2400	1.54	77	78	79	78	75	72	68	65	80
		1.98	78	79	81	79	76	73	69	65	81
		2.71	80	80	83	80	77	74	70	66	82
		0.00	82	82	82	85	82	81	79	75	88
		1.78	82	83	83	85	82	80	77	72	87
		2.74	83	84	84	85	82	80	77	72	88
	3200	3.53	85	85	86	86	83	81	77	73	88
		4.81	86	86	87	88	84	82	78	74	90
		0.00	87	87	87	90	89	87	86	83	94
		3.03	88	88	88	91	89	87	84	79	94
		4.65	89	89	90	91	89	87	84	79	94
		5.99	90	90	91	92	90	87	85	80	95
4171	8.17	92	92	92	94	91	89	86	81	96	

The sound power level ratings shown are in decibels referred to 10¹² watts calculated per AMCA Standard 301. The A-weighted sound ratings shown have been calculated per AMCA Standard 301. Values shown are for inlet Lwi and inlet LwiA sound power levels for installation Type A: Free inlet, Free outlet. Ratings do not include the effects of duct. Values shown are for outlet Lwo and outlet LwoA sound power levels for installation Type A: Free inlet, Free outlet. Ratings do not include the effects of duct.

135 SOUND PERFORMANCE (PART 1 OF 2)

Model	RPM	Nominal Ps	INLET SOUND POWER BY OCTAVE BANDS dB Lwi							LwiA		
			63	125	250	500	1000	2000	4000		8000	
135-LV	800	0.00	57	59	62	59	53	47	39	32	60	
		0.17	54	56	59	57	50	44	37	30	57	
		0.25	54	56	59	56	48	43	37	31	56	
		0.31	54	57	59	56	48	43	37	32	56	
		0.37	55	57	59	56	47	43	38	33	56	
		0.00	73	73	75	79	77	71	64	57	81	
	1750	0.80	70	71	73	77	75	67	61	55	78	
		1.20	70	70	73	76	74	66	61	55	78	
		1.49	70	71	73	76	74	65	61	55	77	
		1.77	70	72	74	76	74	64	61	56	77	
		0.00	80	80	82	84	85	81	74	67	88	
		1.50	77	78	80	82	83	78	71	65	86	
	2400	2.25	76	77	79	82	82	76	70	64	85	
		2.79	77	77	80	82	82	76	70	64	85	
		3.34	77	78	80	82	82	75	69	65	85	
		0.00	84	85	86	91	90	88	81	75	94	
		2.35	82	82	83	88	88	85	78	72	92	
		3.52	81	81	83	88	87	84	76	71	91	
	3000	4.37	82	82	83	88	87	84	76	71	91	
		5.21	82	82	84	88	87	83	75	71	91	
		0.00	90	90	91	96	96	95	89	83	101	
		3.97	88	88	88	94	94	93	86	80	98	
		5.95	87	87	88	94	93	92	84	79	98	
		7.38	87	87	88	94	93	92	84	79	98	
3900	8.81	88	88	89	94	93	92	83	79	97		
	0.00	54	56	58	57	50	46	44	41	57		
	135-MV	800	0.15	53	56	58	56	48	44	40	56	
			0.23	54	56	58	55	47	43	38	34	55
			0.29	54	57	58	56	48	43	38	33	56
			0.35	55	58	59	56	48	43	37	32	56
0.00			77	71	73	76	75	67	63	61	78	
0.73			76	70	73	75	74	65	61	57	77	
1750		1.09	76	70	73	75	73	65	61	56	77	
		1.37	76	71	74	76	74	65	61	56	77	
		1.68	77	72	75	76	74	66	61	55	78	
		0.00	84	80	80	81	82	77	72	69	85	
		1.37	83	79	80	81	81	76	70	66	84	
		2.05	83	79	80	81	81	75	69	65	84	
2400		2.58	84	80	81	82	82	76	70	65	85	
		3.16	84	81	82	83	82	76	70	65	85	
		0.00	89	87	83	87	87	85	78	74	91	
		2.14	88	86	82	87	86	83	76	72	90	
		3.20	88	86	83	87	86	83	75	71	90	
		4.04	88	87	83	87	87	83	76	71	91	
3000		4.93	89	88	84	88	87	84	76	71	91	
		0.01	94	94	89	93	93	92	86	81	98	
		3.62	93	93	88	92	92	91	84	79	97	
		3900	5.41	94	94	88	92	92	91	83	79	97
			6.83	94	94	89	93	93	92	84	79	97
			8.34	95	95	90	94	93	92	84	79	98
0.00	53		55	57	55	48	46	46	46	56		
135-HV	800		0.13	53	56	57	55	47	44	41	57	
			0.20	53	56	57	55	47	43	39	35	55
		0.26	54	58	58	55	48	43	38	33	56	
		0.33	55	59	59	56	48	43	37	31	56	
		0.00	79	70	72	74	73	65	63	63	76	
		0.63	78	70	73	74	73	64	61	59	76	
	1750	0.97	79	70	73	74	73	64	61	57	76	
		1.26	80	71	74	75	74	65	61	56	77	
		1.56	80	72	76	76	74	66	61	55	78	
		0.00	86	80	79	80	81	76	71	69	84	
		1.18	86	80	80	80	81	75	70	67	84	
		1.83	86	81	80	81	81	75	69	66	84	
	2400	2.36	87	82	81	82	81	76	70	65	85	
		2.93	88	82	82	83	82	77	70	65	86	
		0.00	91	88	82	86	85	83	76	74	90	
		1.85	91	88	82	86	86	83	75	72	90	
		2.86	91	89	82	86	86	83	75	72	90	
		3.69	92	89	83	87	87	83	76	72	90	
	3000	4.58	92	90	84	88	88	84	77	71	91	
		0.00	96	96	88	91	91	91	84	80	96	
		3.12	96	96	88	92	91	91	83	79	96	
		4.83	97	97	88	92	92	91	83	79	96	
		6.23	97	97	89	93	93	91	84	79	97	
		7.74	98	98	90	94	94	92	85	79	98	

Model	RPM	Nominal Ps	OUTLET SOUND POWER BY OCTAVE BANDS dB Lwo							LwoA		
			63	125	250	500	1000	2000	4000		8000	
135-LV	800	0.00	58	59	58	58	55	48	42	36	59	
		0.17	55	58	55	54	51	45	40	34	56	
		0.25	54	58	54	52	50	45	40	35	55	
		0.31	55	57	54	52	49	45	41	36	54	
		0.37	55	57	55	51	48	45	41	37	54	
		0.00	74	74	77	75	75	73	66	60	79	
	1750	0.80	70	71	75	72	71	69	63	57	76	
		1.20	69	70	75	72	69	67	62	57	75	
		1.49	69	71	75	72	69	67	63	58	75	
		1.77	69	72	74	72	69	66	63	59	74	
		0.00	81	81	83	82	82	81	76	70	87	
		1.50	77	77	82	80	78	77	72	67	84	
	2400	2.25	76	77	82	80	77	75	71	67	83	
		2.79	76	77	82	80	77	75	71	67	83	
		3.34	76	77	81	80	77	74	71	67	82	
		0.00	86	86	87	88	87	86	83	76	92	
		2.35	82	82	84	86	84	82	79	73	89	
		3.52	81	81	83	86	83	81	78	73	88	
	3000	4.37	81	81	84	86	83	80	77	73	88	
		5.21	80	81	84	86	83	80	77	74	88	
		0.00	92	92	92	94	93	93	91	85	99	
		3.97	88	88	88	92	90	89	87	81	96	
		5.95	86	86	87	92	90	87	85	81	95	
		7.38	86	86	88	92	90	87	84	81	95	
3900	8.81	86	86	89	91	90	87	84	81	94		
	0.00	56	58	56	55	53	48	43	37	57		
	135-MV	800	0.15	56	58	55	53	50	45	41	57	
			0.23	56	58	55	53	49	45	41	38	55
			0.29	57	59	55	53	50	46	42	39	55
			0.35	58	60	56	54	50	46	43	40	56
0.00			72	72	75	73	72	70	66	60	77	
0.73			72	72	75	72	70	68	63	58	75	
1750		1.09	72	73	75	72	70	67	62	59	75	
		1.37	73	74	76	73	70	67	63	60	76	
		1.68	74	75	77	73	71	68	64	60	76	
		0.00	79	79	82	81	79	78	75	70	85	
		1.37	79	79	82	80	78	76	72	67	83	
		2.05	79	79	82	80	78	75	71	67	83	
2400		2.58	80	80	83	81	78	76	72	68	84	
		3.16	81	81	84	82	79	76	72	69	84	
		0.00	84	84	85	87	85	83	81	76	90	
		2.14	83	84	85	86	84	82	78	73	89	
		3.20	84	84	85	86	83	81	78	73	89	
		4.04	85	85	86	87	84	81	78	74	89	
3000		4.93	85	86	87	88	84	82	79	75	90	
		0.01	90	90	90	92	91	90	88	84	96	
		3.62	89	89	89	92	90	88	85	81	95	
		3900	5.41	89	89	90	93	90	88	85	81	95
			6.83	90	90	91	93	91	88	85	81	96
			8.34	91	91	92	94	91	89	86	82	97
0.00	55		57	55	53	52	48	43	38	56		
135-HV	800		0.13	56	58	55	53	49	45	42	38	55
			0.20	57	58	55	53	49	45	42	39	55
		0.26	59	59	56	54	50	46	43	40	56	
		0.33	60	61	57	55	51	47	44	41	57	
		0.00	71	71	75	72	71	69	66	61	76	
		0.63	72	73	75	72	70	67	62	59	75	
	1750	0.97	74	74	76	72	70	67	62	59	75	
		1.26	75	75	77	73	71	68	63	60	76	
		1.56	76	77	79	74	72	69	64	61	77	
		0.00	78	78	82	80	78	77	74	70	84	
		1.18	79	79	82	80	78	75	71	67	83	
		1.83	80	81	82	81	78	75	71	68	83	
	2400	2.36	82	82	84	82	79	76	72	68	84	
		2.93	83	83	85	83	80	77	73	69	85	
		0.00	83	83	84	86	83	82	80	76	89	
		1.85	84	84	85	86	83	81	78	73	89	
		2.86	85	85	86	86	84	81	78	74	89	
		3.69	87	87	88	88	84	82	79	74	90	
	3000	4.58	88	88	89	89	85	83	79	75	91	
		0.00	89	89	89	92	90	88	87	84	95	
		3.12	90	90	90	92	90	88	85	80	95	
		4.83	91	91	91	93	90	88	85	81	95	
		6.23	92	92	93	94	91	89	86	81	96	
		7.74	94	94	94	96	92	90	87</			

135 SOUND PERFORMANCE (PART 2 OF 2)

Model	RPM	Nominal Ps	INLET SOUND POWER BY OCTAVE BANDS dB Lwi								LwiA
			63	125	250	500	1000	2000	4000	8000	
135-XV	800	0.00	53	55	56	55	48	45	46	47	56
		0.13	53	56	57	55	47	44	42	39	55
		0.20	53	56	57	55	46	43	40	36	55
		0.25	54	58	58	55	48	43	38	33	56
		0.32	55	59	59	56	49	43	37	31	56
		0.01	79	69	72	73	73	65	62	63	76
	1750	0.60	79	70	73	74	73	64	61	59	76
		0.94	80	70	73	74	73	64	61	57	76
		1.22	81	71	75	75	74	65	61	56	77
		1.52	81	72	76	76	74	66	61	55	78
		0.02	86	80	79	80	80	75	70	70	84
		1.13	86	81	80	80	80	75	69	67	84
	2400	1.77	87	81	80	81	81	75	69	66	84
		2.29	88	82	81	82	81	76	70	65	85
		2.85	88	83	83	83	82	77	70	65	86
		0.03	91	89	82	85	85	83	76	74	89
		1.77	91	89	82	86	86	83	75	72	89
		2.76	92	89	82	86	86	83	75	72	90
	3000	3.58	93	90	83	87	87	83	76	72	90
		4.46	93	91	84	88	88	84	77	71	91
		0.05	97	97	88	91	91	91	83	80	96
		2.99	97	97	88	91	91	91	83	79	96
		4.67	98	98	89	92	92	91	82	79	96
		6.05	98	98	89	93	93	91	84	79	97
3900	7.54	99	99	90	94	94	92	85	79	98	

Model	RPM	Nominal Ps	OUTLET SOUND POWER BY OCTAVE BANDS dB Lwo								LwoA
			63	125	250	500	1000	2000	4000	8000	
135-XV	800	0.00	55	57	55	53	51	48	43	39	56
		0.13	56	58	55	53	49	45	42	38	55
		0.20	58	58	55	53	49	45	42	39	55
		0.25	59	60	56	54	50	46	43	40	56
		0.32	60	61	57	55	51	47	44	41	57
		0.01	71	71	75	72	70	69	66	61	76
	1750	0.60	73	73	75	72	70	67	62	59	75
		0.94	74	74	76	72	70	67	62	60	75
		1.22	75	76	77	73	71	68	63	60	76
		1.52	77	77	79	74	72	69	64	61	78
		0.02	78	78	82	80	78	76	74	70	84
		1.13	80	80	82	80	78	75	71	67	83
	2400	1.77	81	81	82	81	78	75	71	68	83
		2.29	82	82	84	82	79	76	72	69	84
		2.85	84	84	86	83	80	77	73	69	86
		0.03	83	83	84	86	83	82	80	76	89
		1.77	84	84	85	86	83	81	77	73	89
		2.76	86	86	86	86	84	81	78	74	89
	3000	3.58	87	87	88	88	84	82	79	74	90
		4.46	88	89	89	89	85	83	80	75	91
		0.05	88	88	88	92	90	88	86	84	95
		2.99	90	90	90	92	90	88	85	80	95
		4.67	91	91	92	93	90	88	85	81	95
		6.05	93	93	93	94	91	89	86	81	97
3900	7.54	94	94	94	96	92	90	87	82	98	

The sound power level ratings shown are in decibels referred to 10¹² watts calculated per AMCA Standard 301. The A-weighted sound ratings shown have been calculated per AMCA Standard 301. Values shown are for inlet Lwi and inlet LwiA sound power levels for installation Type A: Free inlet, Free outlet. Ratings do not include the effects of duct. Values shown are for outlet Lwo and outlet LwoA sound power levels for installation Type A: Free inlet, Free outlet. Ratings do not include the effects of duct.

150 SOUND PERFORMANCE (PART 1 OF 2)

Model	RPM	Nominal Ps	INLET SOUND POWER BY OCTAVE BANDS dB Lwi							LwiA	
			63	125	250	500	1000	2000	4000		8000
150-LV	800	0.00	60	62	65	63	56	50	43	35	63
		0.21	57	60	63	60	53	47	40	34	60
		0.31	57	59	62	59	51	46	40	34	59
		0.38	57	60	62	59	51	46	41	35	59
		0.49	58	60	62	59	50	46	41	36	59
		0.00	76	77	78	82	80	74	68	61	84
	1750	0.99	74	74	76	80	78	70	65	58	81
		1.48	73	74	76	79	77	69	64	58	81
		1.83	73	74	76	79	77	68	64	58	81
		2.35	73	75	77	79	77	67	64	59	80
		0.00	83	83	85	87	88	84	78	71	91
		1.86	80	81	83	85	86	81	74	68	89
	2400	2.78	80	80	83	85	85	80	73	67	88
		3.45	80	80	83	85	85	79	73	68	88
		4.41	80	81	84	85	85	78	72	68	88
		0.00	88	88	89	94	93	91	85	78	97
		2.90	85	85	86	92	91	88	81	75	95
		4.35	84	85	86	91	91	87	80	74	94
	3000	5.39	85	85	86	91	91	87	79	74	94
		6.89	85	86	87	91	90	86	78	75	94
		0.00	92	92	92	98	98	96	90	84	102
		4.24	89	89	90	96	96	94	87	81	100
		6.35	89	89	89	95	95	94	85	80	99
		7.87	89	89	90	95	95	93	84	80	99
150-MV	800	10.06	89	89	91	95	95	93	83	80	99
		0.00	58	60	62	60	53	49	46	43	61
		0.19	57	59	61	59	51	47	43	38	59
		0.29	57	60	61	59	50	46	41	37	59
		0.36	58	60	62	59	51	46	41	36	59
		0.47	59	61	62	59	51	46	41	35	59
	1750	0.00	79	74	77	79	78	71	67	64	81
		0.93	78	73	76	78	77	69	65	60	80
		1.38	78	73	76	78	77	68	64	59	80
		1.73	79	74	77	79	77	68	64	59	80
		2.27	79	75	78	80	77	69	64	58	81
		0.00	86	83	83	85	86	81	75	72	89
	2400	1.74	85	82	83	84	85	79	73	69	88
		2.59	85	82	83	84	84	79	73	68	88
		3.25	86	83	84	85	85	79	73	68	88
		4.27	87	84	85	86	85	79	73	68	89
		0.00	91	90	87	91	91	88	82	78	95
		2.72	90	89	86	90	90	87	80	75	94
	3000	4.05	90	89	86	90	90	86	79	75	93
		5.08	91	89	86	91	90	87	79	75	94
		6.67	91	90	87	91	91	87	79	75	94
		0.00	95	95	90	95	95	94	87	83	100
		3.97	94	94	89	94	94	93	85	81	99
		5.91	94	94	89	94	94	93	84	80	98
150-HV	800	7.41	95	95	90	95	95	93	84	80	99
		9.74	95	95	91	95	95	93	85	80	99
		0.00	56	59	60	59	51	49	49	48	60
		0.16	56	59	60	58	50	47	44	41	59
		0.25	57	60	60	58	50	47	42	38	58
		0.33	58	61	61	59	51	46	41	36	59
	1750	0.45	59	62	62	59	52	46	40	34	60
		0.00	82	73	75	77	77	69	66	66	80
		0.79	81	73	76	77	76	68	65	62	80
		1.21	82	73	77	78	76	67	64	60	80
		1.57	83	74	78	79	77	68	64	59	80
		2.14	83	75	79	80	77	69	64	58	81
	2400	0.00	89	84	82	83	84	79	74	73	87
		1.48	89	83	83	84	84	78	73	70	87
		2.28	89	84	83	84	84	78	72	69	87
		2.95	90	85	84	85	85	79	73	68	88
		4.03	91	86	86	86	85	80	74	68	89
		0.01	94	91	85	89	89	87	80	77	93
	3000	2.32	93	91	85	89	89	86	79	76	93
		3.57	94	92	86	89	89	86	78	75	93
		4.61	95	92	87	90	90	87	79	75	94
		6.30	95	93	88	91	91	87	80	75	95
		0.01	98	98	89	93	93	93	85	82	98
		3.38	98	98	89	93	93	92	84	81	98
3625	5.21	98	98	89	93	93	92	83	80	98	
	6.73	99	99	90	94	94	93	84	80	99	
	9.20	100	100	91	96	96	93	86	80	100	

Model	RPM	Nominal Ps	OUTLET SOUND POWER BY OCTAVE BANDS dB Lwo							LwoA	
			63	125	250	500	1000	2000	4000		8000
150-LV	800	0.00	61	62	61	61	59	52	45	39	63
		0.21	58	61	58	57	54	48	43	37	59
		0.31	57	61	58	55	53	48	43	38	58
		0.38	58	61	58	55	52	48	44	39	58
		0.49	58	60	58	54	51	49	45	41	57
		0.00	77	78	80	78	78	77	69	63	83
	1750	0.99	73	74	79	75	74	72	66	61	79
		1.48	72	74	79	75	73	70	66	61	78
		1.83	72	74	78	75	72	70	66	61	78
		2.35	72	75	77	75	72	69	66	62	78
		0.00	84	84	87	86	85	84	79	73	90
		1.86	80	81	85	84	82	80	76	70	87
	2400	2.78	79	80	85	83	81	78	75	70	86
		3.45	79	80	85	83	80	78	74	70	86
		4.41	79	80	84	83	80	77	74	71	86
		0.00	89	89	90	91	90	90	87	80	96
		2.90	85	85	87	90	87	85	82	77	92
		4.35	84	84	86	89	86	84	81	76	92
	3000	5.39	84	84	87	89	86	84	81	77	91
		6.89	83	84	87	89	86	83	80	77	91
		0.00	93	93	93	96	94	94	93	85	100
		4.24	89	89	90	94	91	90	88	82	97
		6.35	88	88	89	94	91	89	86	82	96
		7.87	88	88	90	94	91	88	86	82	96
150-MV	800	10.06	88	88	91	93	91	88	85	82	96
		0.00	59	61	59	58	56	51	46	40	61
		0.19	59	61	58	56	53	48	44	40	58
		0.29	59	61	58	56	53	48	44	40	58
		0.36	60	62	58	56	53	49	45	42	58
		0.47	61	63	59	57	53	49	46	43	59
	1750	0.00	76	76	79	77	76	74	69	64	81
		0.93	75	75	78	75	74	71	66	61	79
		1.38	75	76	79	75	73	70	66	62	78
		1.73	76	77	79	76	73	71	66	63	79
		2.27	76	78	80	76	74	71	67	64	79
		0.00	83	83	86	84	83	82	78	73	88
	2400	1.74	82	82	85	84	81	79	75	70	87
		2.59	82	82	86	84	81	78	75	70	86
		3.25	82	83	86	84	81	79	75	71	87
		4.27	83	84	87	85	82	79	75	72	87
		0.00	87	87	88	90	88	87	85	80	94
		2.72	86	87	88	89	87	85	81	77	92
	3000	4.05	87	87	88	90	86	84	81	76	92
		5.08	87	88	89	90	87	85	81	77	92
		6.67	88	88	90	91	88	85	82	78	93
		0.00	91	91	92	95	92	92	90	85	98
		3.97	91	91	91	94	91	90	87	82	97
		5.91	91	91	91	94	91	89	86	82	97
150-HV	800	7.41	91	91	92	95	92	89	87	82	97
		9.74	92	92	94	96	92	90	87	83	98
		0.00	58	61	58	57	55	51	46	42	60
		0.16	59	61	58	56	53	48	45	41	58
		0.25	60	61	58	56	53	48	45	42	58
		0.33	62	62	59	57	53	49	46	43	59
	1750	0.45	63	64	60	58	55	50	47	44	60
		0.00	74	75	78	75	74	72	69	64	79
		0.79	76	76	78	75	73	70	66	62	78
		1.21	77	77	79	75	73	70	66	63	78
		1.57	78	79	80	76	74	71	66	63	79
		2.14	79	80	82	77	75	72	67	65	81
	2400	0.00	81	81	85	83	81	80	77	73	87
		1.48	82	83	85	84	81	79	74	71	86
		2.28	84	84	86	84	81	79	75	71	86
		2.95	85	85	87	85	82	79	75	72	87
		4.03	86	87	89	86	83	81	76	73	89
		0.01	86	86	87	89	87	85	83	79	92
	3000	2.32	87	87	88	89	87	84	81	76	92
		3.57	88	88	89	90	87	84	81	77	92
		4.61	90	90	91	91	88	85	82	77	93
		6.30	91	91	92	92	89	86	83	78	94
		0.01	90	90	90	94	91	90	88	85	97
		3.38	91	91	92	94	91	89	86	82	97
3625	5.21	92	92	93	95	91	89	86	82	97	
	6.73	94	94	94	96	92	90	87	82	98	
	9.20	95	95	96	98	93	91				

150 SOUND PERFORMANCE (PART 2 OF 2)

Model	RPM	Nominal Ps	INLET SOUND POWER BY OCTAVE BANDS dB Lwi							LwiA	
			63	125	250	500	1000	2000	4000		8000
150-XV	800	0.01	56	58	60	58	51	49	49	50	59
		0.15	56	59	60	58	50	47	45	42	58
		0.24	57	60	60	58	50	47	43	39	58
		0.31	58	61	61	59	51	47	41	36	59
		0.44	59	62	62	59	52	46	40	33	60
		0.04	82	73	75	77	76	68	66	66	79
	1750	0.73	82	73	76	77	76	67	65	62	79
		1.15	83	73	77	77	76	67	64	60	79
		1.49	84	74	78	78	77	68	64	59	80
		2.09	85	75	79	80	77	70	64	58	81
		0.07	90	84	82	83	83	79	74	73	87
		1.37	90	84	83	84	84	78	73	70	87
	2400	2.16	90	84	83	84	84	78	72	69	87
		2.81	91	85	85	85	85	79	73	68	88
		3.94	92	86	86	86	85	80	74	68	89
		0.11	94	92	85	88	88	86	79	77	93
		2.13	94	92	85	89	89	86	78	76	93
		3.37	95	92	86	89	89	86	78	75	93
	3000	4.39	96	93	87	90	90	87	79	75	94
		6.15	97	94	88	92	91	87	80	75	95
		0.17	98	98	88	92	92	92	84	81	97
		3.12	98	98	89	93	93	92	83	80	98
		4.92	99	99	89	93	93	92	83	80	98
		6.41	100	100	90	94	94	93	84	80	99
3625	8.99	101	101	91	96	96	94	86	80	100	

Model	RPM	Nominal Ps	OUTLET SOUND POWER BY OCTAVE BANDS dB Lwo							LwoA	
			63	125	250	500	1000	2000	4000		8000
150-XV	800	0.01	58	60	58	56	54	51	47	42	59
		0.15	59	61	58	56	52	48	45	42	58
		0.24	61	61	58	56	53	48	45	43	58
		0.31	62	63	59	57	54	49	46	44	59
		0.44	64	65	60	58	55	50	47	45	61
		0.04	74	74	78	75	73	72	69	64	79
	1750	0.73	76	76	78	75	73	70	65	62	78
		1.15	77	78	79	76	73	70	66	63	79
		1.49	79	79	80	76	74	71	66	64	80
		2.09	80	81	83	78	76	73	67	65	81
		0.07	81	81	85	83	81	79	77	73	87
		1.37	83	83	85	84	81	78	74	71	86
	2400	2.16	84	84	86	84	81	79	75	71	87
		2.81	85	86	87	85	82	80	75	72	88
		3.94	87	87	89	87	84	81	77	73	89
		0.11	86	86	87	89	86	85	83	79	92
		2.13	88	88	88	89	87	84	81	76	92
		3.37	89	89	90	90	87	84	81	77	92
	3000	4.39	90	90	91	91	88	85	82	78	93
		6.15	92	92	93	93	89	87	83	79	95
		0.17	90	90	90	94	91	89	88	85	97
		3.12	92	92	92	94	91	89	86	81	97
		4.92	93	93	93	95	91	89	86	82	97
		6.41	94	94	95	96	92	90	87	82	98
3625	8.99	96	96	96	98	94	92	89	83	100	

The sound power level ratings shown are in decibels referred to 10¹² watts calculated per AMCA Standard 301. The A-weighted sound ratings shown have been calculated per AMCA Standard 301. Values shown are for inlet Lwi and inlet LwiA sound power levels for installation Type A: Free inlet, Free outlet. Ratings do not include the effects of duct. Values shown are for outlet Lwo and outlet LwoA sound power levels for installation Type A: Free inlet, Free outlet. Ratings do not include the effects of duct.

165 SOUND PERFORMANCE (PART 1 OF 2)

Model	RPM	Nominal Ps	INLET SOUND POWER BY OCTAVE BANDS dB Lwi							LwiA	
			63	125	250	500	1000	2000	4000		8000
165-LV	800	0.00	66	67	68	64	62	57	52	47	67
		0.21	66	67	67	63	60	55	50	46	65
		0.32	66	67	67	62	59	55	50	45	65
		0.41	67	68	68	63	60	56	51	46	66
		0.45	67	68	68	64	60	56	51	46	66
		0.00	77	75	77	75	72	69	64	59	77
	1200	0.48	76	77	78	75	71	67	63	58	77
		0.72	75	78	80	78	73	69	65	60	79
		0.91	75	80	81	80	75	71	67	61	81
		1.01	75	81	82	81	75	71	68	62	82
		0.00	88	83	84	85	82	80	75	70	87
		1.03	87	82	84	85	81	79	74	69	86
	1750	1.53	86	82	83	84	80	78	74	69	86
		1.94	86	82	84	84	80	78	73	68	86
		2.15	86	82	84	84	80	78	73	68	86
		0.00	95	92	91	92	90	87	84	79	95
		1.93	93	91	91	91	89	86	82	77	94
		2.87	93	91	91	91	89	85	81	77	94
	2400	3.65	92	91	92	92	90	86	82	77	94
		4.04	91	91	92	93	90	86	82	78	95
		0.01	100	98	95	97	96	93	90	85	100
		2.96	98	97	94	96	95	91	88	83	99
		4.42	98	97	95	96	95	90	87	83	99
		5.60	97	96	96	97	96	91	88	84	100
165-MV	800	6.21	96	96	96	97	96	92	88	84	100
		0.00	66	67	67	63	60	55	50	45	65
		0.19	66	67	66	62	59	54	49	44	64
		0.30	67	68	67	62	59	54	48	43	64
		0.38	67	68	67	63	59	55	49	44	65
		0.42	67	68	68	63	60	55	50	44	66
	1200	0.00	77	76	76	74	71	67	62	57	76
		0.43	77	77	77	74	70	66	61	56	76
		0.68	77	78	78	76	72	67	63	57	78
		0.86	76	79	80	78	73	69	64	58	79
		0.94	76	79	80	79	73	69	65	59	80
		0.00	88	83	84	84	80	78	72	68	86
	2400	0.92	88	83	84	84	80	77	72	67	86
		1.44	88	83	84	84	80	78	72	67	86
		1.82	88	83	84	84	80	77	72	67	86
		1.99	88	83	84	85	80	77	72	67	86
		0.00	95	92	91	91	89	86	82	77	94
		1.72	95	92	91	91	88	85	81	76	93
	2975	2.71	95	92	91	91	88	85	81	75	93
		3.42	94	92	92	92	89	85	81	76	94
		3.75	93	92	92	92	90	86	82	77	94
		0.00	100	99	95	96	95	91	88	83	99
		2.65	99	98	95	96	94	90	87	82	99
		4.16	99	98	95	96	95	90	87	82	99
165-HV	800	5.26	98	98	96	97	95	91	88	82	99
		5.76	98	97	96	97	96	91	88	83	100
		0.00	67	67	66	62	59	53	49	44	64
		0.19	67	67	66	62	58	53	48	42	64
		0.28	67	68	66	62	59	53	47	42	64
		0.34	67	68	67	62	59	54	48	42	65
	1200	0.37	67	68	68	63	59	54	48	43	65
		0.00	78	76	76	73	69	65	60	55	75
		0.43	78	77	77	73	69	65	60	54	75
		0.64	78	77	78	75	71	66	61	55	76
		0.77	77	78	78	76	72	67	62	56	77
		0.83	77	78	79	77	72	68	63	56	78
	1750	0.00	89	84	84	83	79	76	71	66	85
		0.91	89	84	85	84	79	77	71	66	85
		1.36	89	84	84	84	79	77	71	65	85
		1.63	89	84	84	84	79	77	71	66	85
		1.76	89	83	84	85	80	77	72	66	86
		0.01	96	93	91	91	88	85	80	75	93
	2400	1.71	96	93	91	91	88	84	80	74	93
		2.55	96	93	92	91	88	84	80	74	93
		3.06	95	93	92	92	89	85	81	75	94
		3.31	95	92	92	92	89	85	81	76	94
		0.01	100	99	95	96	94	90	87	81	98
		2.63	101	99	95	96	94	90	86	81	99
2975	3.92	100	99	96	96	94	90	87	81	99	
	4.71	100	99	96	97	95	91	87	82	99	
	5.09	100	98	95	97	96	91	87	82	100	

Model	RPM	Nominal Ps	OUTLET SOUND POWER BY OCTAVE BANDS dB Lwo							LwoA	
			63	125	250	500	1000	2000	4000		8000
165-LV	800	0.00	62	65	63	65	63	58	56	54	67
		0.21	61	65	63	64	61	57	54	52	66
		0.32	62	66	64	64	61	56	54	52	66
		0.41	65	69	65	64	60	56	54	52	66
		0.45	66	70	66	64	60	56	54	53	66
		0.00	72	72	73	73	73	69	66	64	77
	1200	0.48	75	78	77	74	71	67	64	62	76
		0.72	80	84	82	75	71	66	64	63	78
		0.91	83	90	85	77	70	65	64	64	81
		1.01	85	93	87	77	70	65	64	64	83
		0.00	83	78	82	80	82	81	75	73	86
		1.03	82	78	82	80	81	80	75	73	86
	1750	1.53	82	77	82	79	81	79	74	72	85
		1.94	82	78	82	80	81	79	74	72	85
		2.15	82	78	82	80	81	79	74	72	85
		0.00	90	87	89	88	88	88	85	81	94
		1.93	89	86	89	88	87	87	83	80	93
		2.87	89	87	91	89	88	86	83	79	93
	2400	3.65	90	89	93	91	89	86	82	79	94
		4.04	90	90	95	92	89	86	82	79	94
		0.01	94	93	91	93	92	93	91	86	98
		2.96	94	93	90	93	92	92	89	85	98
		4.42	94	93	91	95	93	92	89	85	98
		5.60	95	94	94	97	94	92	88	84	99
165-MV	800	6.21	95	95	95	98	94	92	88	84	100
		0.00	65	67	63	63	61	57	55	53	66
		0.19	65	68	63	63	60	56	54	52	66
		0.30	66	69	64	63	60	56	54	51	66
		0.38	68	70	65	64	60	56	54	52	66
		0.42	69	71	66	64	61	56	54	53	66
	1200	0.00	75	75	73	72	72	68	65	63	76
		0.43	77	79	76	73	71	67	64	62	76
		0.68	81	84	79	75	70	66	64	62	77
		0.86	83	87	82	76	70	66	64	63	79
		0.94	85	90	84	76	71	66	64	64	80
		0.00	85	82	83	80	81	79	74	72	85
	2400	0.92	86	82	83	80	81	79	74	72	85
		1.44	86	82	83	80	81	79	74	72	85
		1.82	86	82	84	81	81	79	74	72	85
		1.99	86	82	85	81	81	79	74	72	86
		0.00	92	90	90	88	87	87	83	80	93
		1.72	92	90	91	89	87	86	82	79	93
	2975	2.71	93	91	92	90	88	86	82	79	93
		3.42	93	92	94	91	89	86	82	79	94
		3.75	94	93	95	92	89	87	83	79	95
		0.00	97	96	94	94	92	92	89	85	98
		2.65	97	96	94	94	92	91	89	85	98
		4.16	97	97	94	95	93	92	88	84	98
165-HV	800	5.26	98	97	96	97	94	92	88	84	99
		5.76	99	98	98	98	94	92	89	85	100
		0.00	68	69	63	63	60	56	54	52	65
		0.19	68	70	64	63	60	56	53	51	65
		0.28	68	70	64	63	60	56	54	51	66
		0.34	69	71	65	64	60	56	54	52	66
	1200	0.37	71	72	66	64	61	57	55	52	67
		0.00	77	77	73	72	70	67	64	62	75
		0.43	79	80	76	73	70	66	64	61	76
		0.64	82	83	78	74	70	66	64	62	77
		0.77	83	85	80	75	71	67	64	63	78
		0.83	85	87	82	76	71	67	65	63	79
	1750	0.00	87	85	84	80	80	78	74	72	85
		0.91	88	85	84	80	80	78	74	71	85
		1.36	88	85	84	81	80	78	74	71	85
		1.63	89	85	85	81	81	78	74	72	86
		1.76	90	85	86	82	81	79	74	72	86
		0.01	94	92	92	89	87	86	82	79	93
	2400	1.71	95	93	92	89	87	86	82	79	93
		2.55	95	94	93	90	88	86	82	79	93
		3.06	96	94	94	91	89	86	82	79	94
		3.31	97	95	96	92	89	87	83	80	95
		0.01	98	98	96	94	91	91	88	85	98
		2.63	99	99	96	95	92	91	88	84	98
2975	3.92	100	99	97	96	93	91	88	84	99	
	4.71	101	100	98	97	94	92	88	85	100	
	5.09	102	101	99	99	9					

165 SOUND PERFORMANCE (PART 2 OF 2)

Model	RPM	Nominal Ps	INLET SOUND POWER BY OCTAVE BANDS dB Lwi							LwiA	
			63	125	250	500	1000	2000	4000		8000
165-XV	800	0.00	67	67	65	61	58	52	48	43	63
		0.16	67	68	66	61	58	52	47	41	64
		0.23	67	68	66	61	58	52	47	41	64
		0.28	67	68	67	62	59	53	47	41	64
		0.32	67	68	67	62	59	54	48	42	65
		0.00	78	76	75	72	69	64	59	54	74
	1200	0.36	78	77	76	73	69	64	59	53	75
		0.52	78	77	77	74	70	65	59	54	76
		0.63	78	77	77	75	71	66	60	54	76
		0.72	77	77	78	75	71	66	61	55	77
		0.00	89	84	85	83	78	75	70	65	84
		0.76	90	84	85	84	79	76	70	64	85
	2400	1.10	90	84	85	84	79	77	70	64	85
		1.33	89	84	85	84	79	77	71	65	85
		1.53	89	83	85	85	79	77	71	65	86
		0.00	96	93	91	90	87	84	79	74	92
		1.43	97	94	92	91	88	84	79	74	93
		2.07	97	94	92	91	88	84	80	74	93
	2400	2.51	96	93	92	92	88	85	80	74	93
		2.89	96	93	92	92	89	85	81	75	94
		0.00	101	99	96	96	93	89	85	80	98
		2.20	101	100	96	96	94	89	86	80	98
		3.18	101	100	96	96	94	90	86	80	99
		3.85	101	100	96	96	95	90	87	81	99
2975	4.44	101	99	95	97	95	91	87	82	99	

Model	RPM	Nominal Ps	OUTLET SOUND POWER BY OCTAVE BANDS dB Lwo							LwoA	
			63	125	250	500	1000	2000	4000		8000
165-XV	800	0.00	69	70	63	62	59	56	54	52	65
		0.16	70	71	64	63	59	56	53	51	65
		0.23	70	71	64	63	60	56	53	51	66
		0.28	71	72	65	64	60	56	54	52	66
		0.32	72	73	66	64	61	57	55	52	67
		0.00	79	79	74	71	70	66	64	62	75
	1200	0.36	81	81	75	72	70	66	63	61	76
		0.52	82	82	77	73	70	67	64	61	76
		0.63	83	84	78	74	71	67	64	62	77
		0.72	85	85	80	75	72	68	65	63	78
		0.00	88	87	85	80	79	77	73	71	85
		0.76	90	87	85	81	80	77	73	71	85
	2400	1.10	90	87	85	81	80	78	73	71	85
		1.33	91	87	86	82	81	78	74	71	86
		1.53	92	88	88	83	82	79	75	72	87
		0.00	95	94	93	89	86	85	82	79	93
		1.43	97	95	93	90	87	85	82	78	93
		2.07	97	96	94	90	88	86	82	79	94
	2400	2.51	98	96	95	91	88	86	82	79	94
		2.89	99	97	96	93	89	87	83	80	95
		0.00	99	99	98	95	91	90	87	84	98
		2.20	101	101	98	96	92	91	88	84	99
		3.18	102	101	98	96	93	91	88	84	99
		3.85	103	102	99	97	94	92	88	85	100
2975	4.44	104	103	100	99	95	93	89	85	101	

The sound power level ratings shown are in decibels referred to 10¹² watts calculated per AMCA Standard 301. The A-weighted sound ratings shown have been calculated per AMCA Standard 301. Values shown are for inlet Lwi and inlet LwiA sound power levels for installation Type A: Free inlet, Free outlet. Ratings do not include the effects of duct. Values shown are for outlet Lwo and outlet LwoA sound power levels for installation Type A: Free inlet, Free outlet. Ratings do not include the effects of duct.

182 SOUND PERFORMANCE (PART 1 OF 2)

Model	RPM	Nominal Ps	INLET SOUND POWER BY OCTAVE BANDS dB Lwi							LwiA	
			63	125	250	500	1000	2000	4000		8000
182-LV	800	0.00	69	70	71	67	65	60	55	50	70
		0.26	69	70	70	66	63	58	54	49	68
		0.39	69	70	70	65	62	58	53	48	68
		0.50	70	71	71	66	63	59	54	49	69
		0.55	70	71	71	67	63	59	54	49	69
		0.00	79	78	79	77	74	71	65	60	79
	1150	0.54	78	77	78	76	73	69	64	59	78
		0.81	78	78	78	75	72	68	63	59	78
		1.02	78	78	79	77	73	69	64	59	78
		1.14	78	79	80	77	73	69	65	60	79
		0.00	91	86	87	88	85	83	78	73	90
		1.25	89	85	87	87	83	81	76	71	89
	1750	1.87	89	86	87	88	83	80	75	71	89
		2.37	88	87	88	88	84	80	76	71	90
		2.63	87	87	88	89	84	81	77	72	90
		0.01	98	95	94	95	93	90	87	82	98
		2.36	96	94	94	94	92	89	85	80	97
		3.52	96	94	94	94	92	88	84	80	97
	2400	4.46	95	94	95	95	93	89	85	81	97
		4.94	94	94	95	96	93	89	85	81	98
		0.01	100	98	96	98	96	93	90	85	101
		2.94	99	97	95	97	95	91	88	83	99
		4.38	99	97	96	97	95	91	88	83	99
		5.56	97	97	97	98	96	92	88	84	100
2680	6.17	97	97	97	98	96	92	88	84	101	
	0.00	70	70	69	66	63	58	53	48	68	
	0.23	70	70	69	65	62	57	52	46	67	
	0.37	70	71	70	65	62	57	51	46	67	
	0.46	70	71	70	66	63	57	52	46	68	
	0.51	70	71	71	66	62	58	53	47	69	
182-MV	800	0.00	79	78	78	75	72	68	63	58	78
		0.48	79	78	78	75	72	67	62	57	77
		0.76	79	78	78	75	72	67	62	57	77
		0.95	79	79	79	76	72	68	63	57	78
		1.04	78	78	80	77	72	68	63	58	78
		0.00	92	86	87	87	83	80	75	70	89
1150	1.12	91	86	87	87	82	80	74	69	88	
	1.75	91	87	88	87	82	80	74	69	88	
	2.19	90	87	88	88	83	80	75	70	89	
	2.42	90	86	88	89	84	80	76	70	90	
	0.00	99	96	94	94	92	89	84	79	97	
	2.10	98	95	94	94	91	88	84	78	96	
2400	3.29	98	96	94	94	91	88	84	78	96	
	4.12	97	95	95	95	92	88	84	79	97	
	4.55	97	95	95	96	93	89	85	80	98	
	0.01	101	99	96	97	95	91	88	83	99	
	2.62	101	99	96	97	94	91	87	82	99	
	4.11	100	99	96	97	94	90	87	81	99	
2680	5.14	100	98	97	97	95	91	87	82	100	
	5.67	99	98	96	98	96	92	88	83	100	
	0.00	70	70	68	64	61	56	51	46	67	
	0.22	70	71	69	64	61	55	50	45	67	
	0.32	70	71	69	65	62	56	50	44	67	
	0.38	70	71	70	65	62	56	50	44	68	
182-HV	800	0.46	69	71	71	66	62	57	52	46	68
		0.00	80	78	77	74	71	66	61	57	76
		0.45	80	78	78	75	71	66	61	55	77
		0.66	80	79	78	75	71	67	61	55	77
		0.79	80	79	79	75	72	67	61	55	77
		0.95	79	78	80	76	72	68	63	57	78
1150	0.00	92	87	88	86	82	79	73	69	88	
	1.05	92	87	88	87	82	79	73	68	88	
	1.53	92	87	88	87	82	79	73	68	88	
	1.82	92	87	88	88	82	80	74	68	89	
	2.20	92	86	88	89	83	79	75	69	89	
	0.01	99	96	94	94	91	87	83	78	96	
2400	1.98	99	96	95	94	91	87	83	77	96	
	2.87	99	96	95	94	91	87	83	77	96	
	3.42	99	96	95	95	92	88	84	78	97	
	4.14	99	95	95	95	93	88	84	79	97	
	0.01	101	99	96	96	94	90	86	81	99	
	2.47	102	100	97	97	94	90	86	80	99	
2680	3.58	102	100	97	97	94	90	86	80	99	
	4.27	101	99	97	97	95	91	87	81	99	
	5.17	101	99	96	98	96	91	87	82	100	

Model	RPM	Nominal Ps	OUTLET SOUND POWER BY OCTAVE BANDS dB Lwo							LwoA	
			63	125	250	500	1000	2000	4000		8000
182-LV	800	0.00	65	68	66	68	66	61	59	57	70
		0.26	64	68	66	67	64	60	58	55	69
		0.39	65	69	67	67	64	59	57	55	69
		0.50	68	72	68	67	63	59	57	56	69
		0.55	69	73	69	67	63	59	57	56	69
		0.00	74	74	75	75	75	71	68	66	79
	1150	0.54	73	75	75	74	74	70	67	64	78
		0.81	74	76	76	75	73	69	66	64	78
		1.02	76	78	78	76	73	69	66	64	78
		1.14	77	80	79	76	73	69	66	65	78
		0.00	86	81	85	83	85	84	78	76	89
		1.25	85	81	85	83	84	82	77	75	88
	1750	1.87	85	82	87	84	84	81	77	74	89
		2.37	86	84	89	85	84	81	76	75	89
		2.63	86	86	91	86	84	81	76	75	89
		0.01	93	90	92	91	91	91	88	84	97
		2.36	92	90	92	91	90	90	86	83	96
		3.52	92	90	94	92	91	90	86	82	96
	2400	4.46	93	92	96	94	92	89	85	82	97
		4.94	93	93	98	95	92	89	85	82	97
		0.01	95	93	92	93	93	94	91	87	99
		2.94	95	93	92	94	93	92	89	85	98
		4.38	95	93	93	95	93	92	89	85	99
		5.56	95	95	96	97	94	92	88	85	100
2680	6.17	96	95	97	98	95	92	88	85	100	
	0.00	69	71	66	66	64	60	58	56	69	
	0.23	69	71	66	66	63	59	57	54	69	
	0.37	69	72	67	66	63	59	57	54	69	
	0.46	71	73	68	67	63	59	57	55	69	
	0.51	73	75	69	68	64	60	58	56	70	
182-MV	800	0.00	78	78	75	74	73	70	67	65	78
		0.48	78	78	76	74	73	69	66	64	78
		0.76	78	79	77	75	73	69	66	64	78
		0.95	80	81	78	76	73	69	66	64	78
		1.04	81	82	80	77	74	70	67	65	79
		0.00	89	86	86	83	83	82	77	75	88
1150	1.12	89	86	87	83	83	81	77	74	88	
	1.75	90	86	88	84	84	81	76	74	88	
	2.19	90	88	90	85	84	81	77	74	89	
	2.42	91	89	92	87	85	82	77	75	90	
	0.00	95	94	94	91	90	89	86	83	96	
	2.10	96	94	94	92	90	89	85	82	96	
2400	3.29	96	94	95	93	91	89	85	82	96	
	4.12	97	96	97	94	92	89	85	82	97	
	4.55	98	97	99	96	93	90	86	83	98	
	0.01	98	97	95	94	92	92	89	86	98	
	2.62	98	97	95	95	93	92	89	85	98	
	4.11	99	97	96	96	93	92	88	85	99	
2680	5.14	100	98	98	97	94	92	88	85	100	
	5.67	101	100	100	99	95	93	89	86	101	
	0.00	72	73	66	65	63	59	57	55	68	
	0.22	72	74	67	66	63	59	56	54	68	
	0.32	72	74	67	66	63	59	57	54	69	
	0.38	73	75	68	67	63	59	57	55	69	
182-HV	800	0.46	75	76	70	68	65	61	58	56	71
		0.00	80	80	76	74	72	69	66	64	77
		0.45	81	81	76	74	72	69	66	63	77
		0.66	81	81	77	75	73	69	66	63	78
		0.79	82	82	78	76	73	69	66	64	78
		0.95	84	84	80	77	75	71	67	65	80
1150	0.00	90	89	87	83	83	80	76	74	88	
	1.05	92	89	88	84	83	80	76	74	88	
	1.53	93	89	89	85	84	81	76	74	89	
	1.82	93	90	90	85	84	81	77	74	89	
	2.20	95	92	93	87	85	82	78	76	91	
	0.01	97	96	95	92	90	88	85	82	96	
2400	1.98	99	97	96	92	90	88	85	82	96	
	2.87	99	98	97	93	91	89	85	82	97	
	3.42	100	98	98	94	92	89	85	82	97	
	4.14	102	100	100	97	93	91	87	83	99	
	0.01	100	99	97	95	92	91	88	85	98	
	2.47	101	100	98	95	93	91	88	84	99	
2680	3.58	102	101	98	96	93	92	88	85	99	
	4.27	103	101	99	97	94	92	89	85	100	
	5.17	104	103								

182 SOUND PERFORMANCE (PART 2 OF 2)

Model	RPM	Nominal Ps	INLET SOUND POWER BY OCTAVE BANDS dB Lwi								LwiA
			63	125	250	500	1000	2000	4000	8000	
182-XV	800	0.00	70	70	68	64	60	55	50	46	66
		0.17	70	71	69	64	61	55	49	44	66
		0.25	71	71	69	64	61	55	49	43	67
		0.31	70	71	70	65	62	56	50	43	67
		0.47	69	71	71	66	62	57	51	45	68
		0.00	80	78	77	74	70	65	61	56	76
	1150	0.35	80	79	78	74	71	66	60	55	76
		0.51	80	79	78	75	71	66	60	54	77
		0.65	80	79	79	75	72	67	61	55	77
		0.97	79	78	80	76	72	67	62	56	78
		0.00	92	87	88	85	81	78	72	68	87
		0.81	93	87	88	87	81	79	72	67	88
	2400	1.19	93	88	88	87	82	79	73	67	88
		1.51	93	87	88	87	82	80	74	67	88
		2.24	92	85	88	89	83	79	75	69	89
		0.00	99	96	94	93	90	86	82	77	95
		1.52	100	97	95	94	91	87	82	76	96
		2.24	100	97	95	94	91	87	83	77	96
	2400	2.83	100	97	95	95	91	88	83	77	96
		4.22	100	95	95	95	93	88	84	78	97
		0.01	101	99	97	96	93	89	85	80	98
		1.90	102	100	97	97	94	90	85	80	99
		2.79	102	100	97	97	94	90	86	80	99
		3.53	102	100	97	97	95	91	87	81	99
2680	5.26	102	99	96	98	96	91	87	82	100	

Model	RPM	Nominal Ps	OUTLET SOUND POWER BY OCTAVE BANDS dB Lwo								LwoA
			63	125	250	500	1000	2000	4000	8000	
182-XV	800	0.00	73	74	66	65	62	59	57	55	68
		0.17	74	75	67	66	62	59	56	54	68
		0.25	74	75	67	66	63	59	56	54	69
		0.31	74	75	68	67	63	59	57	55	69
		0.47	76	77	70	68	65	61	58	56	71
		0.00	82	82	76	73	71	68	66	64	77
	1150	0.35	83	82	76	74	72	68	65	63	77
		0.51	83	83	77	75	72	69	66	63	78
		0.65	84	83	78	75	73	69	66	64	79
		0.97	86	85	81	77	75	71	68	65	80
		0.00	91	90	88	83	82	80	76	74	88
		0.81	93	91	88	84	83	80	76	73	88
	2400	1.19	94	91	89	85	83	80	76	74	89
		1.51	95	92	90	85	84	81	77	74	89
		2.24	97	93	93	87	86	83	78	76	91
		0.00	98	98	96	92	89	88	84	82	96
		1.52	100	99	97	93	90	88	85	81	96
		2.24	101	99	97	93	91	89	85	82	97
	2400	2.83	102	100	98	94	92	89	86	82	98
		4.22	104	102	101	97	93	91	87	84	100
		0.01	101	100	99	95	92	90	87	84	98
		1.90	103	102	99	96	93	91	88	84	99
		2.79	103	102	100	96	93	91	88	85	100
		3.53	104	103	100	97	94	92	89	85	100
2680	5.26	106	105	103	100	96	94	90	87	102	

The sound power level ratings shown are in decibels referred to 10¹² watts calculated per AMCA Standard 301. The A-weighted sound ratings shown have been calculated per AMCA Standard 301. Values shown are for inlet Lwi and inlet LwiA sound power levels for installation Type A: Free inlet, Free outlet. Ratings do not include the effects of duct. Values shown are for outlet Lwo and outlet LwoA sound power levels for installation Type A: Free inlet, Free outlet. Ratings do not include the effects of duct.

200 SOUND PERFORMANCE (PART 1 OF 2)

Model	RPM	Nominal Ps	INLET SOUND POWER BY OCTAVE BANDS dB Lwi							LwiA	
			63	125	250	500	1000	2000	4000		8000
200-LV	700	0.00	69	71	70	67	64	59	54	49	69
		0.24	69	70	69	65	62	57	52	48	68
		0.36	69	70	69	65	61	57	52	47	67
		0.46	70	71	70	66	62	58	53	48	68
		0.50	70	71	70	66	62	58	53	48	68
		0.00	81	80	82	80	77	73	68	63	82
	1150	0.65	81	80	81	78	75	72	67	62	81
		0.97	81	81	81	78	75	71	66	61	80
		1.23	81	81	82	79	75	72	67	62	81
		1.36	81	82	82	80	76	72	67	62	82
		0.00	94	89	90	91	87	85	80	75	93
		1.51	92	88	90	90	86	84	79	74	92
	1750	2.25	92	89	90	90	85	83	78	73	91
		2.85	91	90	91	91	87	83	79	74	92
		3.16	90	90	91	92	87	83	80	75	93
		0.00	97	92	93	94	91	89	84	79	96
		1.97	95	92	92	93	89	87	83	78	95
		2.93	95	92	93	93	89	86	82	77	95
	2000	3.72	94	93	94	94	90	87	83	78	96
		4.12	93	93	94	95	91	87	83	78	96
		0.01	101	99	98	98	97	94	90	85	101
		2.98	100	98	97	97	95	92	89	84	100
		4.44	100	98	98	98	95	92	88	83	100
		5.63	98	98	98	98	96	92	89	84	101
200-MV	700	6.24	98	97	99	99	97	93	89	84	101
		0.00	70	70	69	66	62	57	52	48	68
		0.22	69	70	69	65	61	56	51	46	67
		0.34	70	70	69	64	61	56	51	46	67
		0.43	70	71	69	65	62	57	51	46	67
		0.48	70	71	70	66	62	57	52	46	68
	1150	0.00	82	81	81	79	76	72	67	62	81
		0.59	81	80	81	78	75	71	65	60	80
		0.92	82	81	81	78	74	70	65	60	80
		1.17	82	81	82	79	75	71	66	61	81
		1.29	81	81	82	79	75	71	66	61	81
		0.01	94	89	90	90	86	84	79	74	92
	1750	1.37	93	89	90	90	85	83	78	73	91
		2.14	93	89	90	90	85	83	77	72	91
		2.71	92	90	91	91	86	83	78	73	92
		2.98	92	90	91	91	87	83	79	73	92
		0.01	97	93	93	93	90	87	83	78	95
		1.79	96	93	93	93	89	86	82	76	95
	2000	2.79	96	93	93	93	89	86	81	76	95
		3.55	95	93	94	94	90	87	82	77	95
		3.90	95	93	94	94	90	87	83	77	96
		0.01	102	99	98	98	96	93	89	84	100
		2.70	101	98	97	97	95	91	88	82	100
		4.23	101	99	98	98	95	91	87	82	100
200-HV	700	5.36	100	98	98	98	96	92	88	83	101
		5.89	99	98	98	99	96	92	88	83	101
		0.00	70	70	68	64	61	55	51	46	66
		0.21	70	70	68	64	60	55	49	44	66
		0.32	70	71	68	64	61	55	49	44	66
		0.38	70	71	69	65	61	55	50	44	67
	1150	0.42	70	71	70	65	61	56	50	44	67
		0.00	82	81	80	77	74	70	65	60	80
		0.58	82	81	81	77	74	69	64	59	80
		0.86	83	81	81	78	74	70	64	58	80
		1.04	82	81	82	78	75	70	65	59	80
		1.12	82	81	82	79	75	71	65	59	81
	1750	0.00	95	90	90	89	85	82	77	72	91
		1.33	95	90	90	90	85	82	76	71	91
		2.00	95	90	91	90	85	82	76	71	91
		2.40	94	90	91	90	85	83	77	71	92
		2.60	94	89	91	91	86	83	78	72	92
		0.00	98	93	93	92	89	86	81	76	94
	2000	1.74	98	93	93	93	89	85	80	75	94
		2.61	98	94	93	93	89	86	80	75	94
		3.14	97	94	94	94	89	86	81	75	95
		3.39	97	93	94	94	90	86	82	76	95
		0.00	102	99	98	97	94	91	87	82	99
		2.64	102	99	98	97	94	91	87	81	99
2460	3.95	102	100	98	98	95	91	87	81	100	
	4.75	102	99	98	98	95	92	87	82	100	
	5.13	101	99	98	99	96	92	88	82	101	

Model	RPM	Nominal Ps	OUTLET SOUND POWER BY OCTAVE BANDS dB Lwo							LwoA	
			63	125	250	500	1000	2000	4000		8000
200-LV	700	0.00	65	67	66	67	65	61	59	57	70
		0.24	65	67	66	66	63	59	57	55	68
		0.36	66	69	67	66	63	59	57	54	68
		0.46	69	71	68	66	62	59	57	55	68
		0.50	70	72	68	66	62	59	57	55	68
		0.00	77	77	77	78	78	74	71	69	82
	1150	0.65	76	77	78	77	76	73	69	67	81
		0.97	77	79	79	78	76	72	69	67	81
		1.23	79	81	81	78	76	72	69	67	81
		1.36	80	83	81	79	76	72	69	67	81
		0.00	89	84	88	86	87	86	81	79	92
		1.51	88	84	88	86	87	85	80	78	91
	1750	2.25	88	84	90	87	87	84	79	77	91
		2.85	89	87	92	88	87	84	79	77	92
		3.16	89	89	94	89	87	83	79	77	92
		0.00	92	88	91	89	90	90	85	83	95
		1.97	91	87	91	89	89	88	84	81	94
		2.93	91	88	93	90	90	88	83	81	95
	2000	3.72	92	90	95	92	90	87	83	81	95
		4.12	92	91	96	92	90	87	83	81	96
		0.01	96	94	95	94	94	94	91	88	100
		2.98	96	93	96	94	94	93	90	86	99
		4.44	96	94	97	96	94	93	89	86	100
		5.63	96	95	100	97	95	93	89	86	100
200-MV	700	6.24	97	96	101	98	95	93	89	86	101
		0.00	68	69	66	66	64	60	58	56	69
		0.22	68	70	66	66	63	59	57	54	68
		0.34	69	71	67	66	62	59	56	54	68
		0.43	71	72	68	66	62	59	57	55	68
		0.48	72	73	68	66	63	59	57	55	69
	1150	0.00	79	80	78	77	77	73	70	68	81
		0.59	79	80	78	77	76	72	69	67	80
		0.92	80	81	79	78	76	72	69	66	81
		1.17	81	83	81	78	76	72	69	67	81
		1.29	82	84	82	79	76	72	69	67	82
		0.01	90	87	89	86	87	85	80	78	91
	1750	1.37	91	87	89	86	86	84	80	77	91
		2.14	91	87	90	87	87	84	79	77	91
		2.71	92	89	92	88	87	84	79	77	92
		2.98	92	91	94	89	87	84	79	78	92
		0.01	93	90	92	89	89	88	84	82	95
		1.79	94	90	92	90	89	87	83	81	94
	2000	2.79	94	91	93	91	90	87	83	80	95
		3.55	95	93	95	92	90	87	83	81	95
		3.90	95	94	97	93	91	87	83	81	96
		0.01	98	96	97	95	94	93	90	87	99
		2.70	98	96	97	95	94	93	89	86	99
		4.23	99	97	98	96	94	93	89	85	100
200-HV	700	5.36	99	98	100	98	95	93	89	86	101
		5.89	100	99	102	99	96	93	89	86	101
		0.00	70	72	66	65	62	59	57	55	68
		0.21	71	72	66	65	62	58	56	54	68
		0.32	71	73	67	66	62	58	56	54	68
		0.38	72	74	68	66	62	59	57	54	68
	1150	0.42	74	75	69	67	63	59	57	55	69
		0.00	82	82	78	77	75	72	69	67	80
		0.58	83	83	79	77	75	72	69	66	80
		0.86	83	83	80	78	76	72	69	66	81
		1.04	84	84	81	78	76	72	69	67	81
		1.12	85	85	82	79	76	72	69	67	82
	1750	0.00	93	90	90	86	86	84	79	77	91
		1.33	94	91	90	86	86	83	79	77	91
		2.00	94	91	91	87	86	83	79	77	91
		2.40	95	92	93	88	87	84	79	77	92
		2.60	96	93	94	89	87	84	80	78	93
		0.00	95	94	93	89	89	87	83	81	94
	2000	1.74	97	94	94	90	89	87	83	80	94
		2.61	97	94	94	91	90	87	83	80	95
		3.14	98	96	96	92	90	87	83	81	95
		3.39	99	97	97	93	91	88	84	81	96
		0.00	100	99	98	95	93	92	89	86	99
		2.64	101	100	99	96	94	92	89	85	99
2460	3.95	102	100	100	96	94	92	89	85	100	
	4.75	102	101	101	98	95	93	89	86	101	
	5.13										

200 SOUND PERFORMANCE (PART 2 OF 2)

Model	RPM	Nominal Ps	INLET SOUND POWER BY OCTAVE BANDS dB Lwi								LwiA
			63	125	250	500	1000	2000	4000	8000	
200-XV	700	0.00	70	70	67	63	59	54	50	45	65
		0.17	70	70	68	64	60	54	48	43	66
		0.25	71	71	68	64	60	54	48	42	66
		0.31	70	71	69	64	61	55	49	42	67
		0.36	70	71	69	65	61	55	49	43	67
		0.00	83	81	80	77	73	69	64	59	79
	1150	0.47	83	81	81	77	74	69	63	58	79
		0.68	83	81	81	77	74	69	63	57	79
		0.83	83	81	81	78	75	70	64	58	80
		0.97	82	81	82	79	75	70	64	58	80
		0.00	95	90	90	88	84	81	75	71	90
		1.09	96	90	91	89	84	81	75	70	91
	1750	1.57	96	90	91	90	84	82	76	70	91
		1.92	95	90	91	90	85	83	77	70	91
		2.24	95	89	91	91	86	82	77	71	92
		0.00	98	94	93	92	88	85	79	75	94
		1.42	99	94	94	93	88	85	80	74	94
		2.05	99	94	94	93	88	86	80	74	94
	2000	2.51	98	94	94	93	89	86	81	75	95
		2.92	98	93	94	94	89	86	81	75	95
		0.01	102	100	98	97	94	90	86	81	99
		2.15	103	100	98	97	94	90	86	80	99
		3.11	103	100	98	98	94	91	86	80	100
		3.80	103	100	98	98	95	91	87	81	100
2460	4.42	103	99	98	98	96	91	87	82	100	

Model	RPM	Nominal Ps	OUTLET SOUND POWER BY OCTAVE BANDS dB Lwo								LwoA
			63	125	250	500	1000	2000	4000	8000	
200-XV	700	0.00	72	73	66	64	61	58	56	54	67
		0.17	73	74	66	65	62	58	56	53	68
		0.25	73	74	67	65	62	58	56	53	68
		0.31	74	75	68	66	62	59	56	54	69
		0.36	75	76	69	67	63	60	57	55	69
		0.00	84	84	78	76	74	71	69	67	80
	1150	0.47	85	85	79	77	75	71	68	66	80
		0.68	85	85	80	78	75	72	68	66	81
		0.83	86	86	81	78	76	72	69	67	81
		0.97	87	86	82	79	77	73	70	67	82
		0.00	94	93	90	86	85	83	79	77	90
		1.09	96	93	91	87	86	83	79	76	91
	1750	1.57	96	93	92	87	86	83	79	77	91
		1.92	97	94	93	88	87	84	80	77	92
		2.24	98	95	95	89	88	85	80	78	93
		0.00	97	96	94	90	88	86	82	80	94
		1.42	99	97	94	90	89	86	82	80	94
		2.05	99	97	95	91	89	87	83	80	95
	2000	2.51	100	97	96	92	90	87	83	81	96
		2.92	101	98	98	93	91	88	84	81	97
		0.01	101	101	99	95	93	91	88	85	99
		2.15	103	102	100	96	94	92	88	85	100
		3.11	104	102	100	97	94	92	88	85	100
		3.80	105	103	101	98	95	93	89	86	101
2460	4.42	106	104	103	99	96	93	90	86	102	

The sound power level ratings shown are in decibels referred to 10¹² watts calculated per AMCA Standard 301. The A-weighted sound ratings shown have been calculated per AMCA Standard 301. Values shown are for inlet Lwi and inlet LwiA sound power levels for installation Type A: Free inlet, Free outlet. Ratings do not include the effects of duct. Values shown are for outlet Lwo and outlet LwoA sound power levels for installation Type A: Free inlet, Free outlet. Ratings do not include the effects of duct.

222 SOUND PERFORMANCE (PART 1 OF 2)

Model	RPM	Nominal Ps	INLET SOUND POWER BY OCTAVE BANDS dB Lwi							LwiA	
			63	125	250	500	1000	2000	4000		8000
222-LV	600	0.00	74	71	69	66	63	58	53	48	68
		0.22	72	70	68	65	61	56	51	46	67
		0.33	72	70	68	64	60	56	51	46	66
		0.41	71	71	69	65	61	56	51	47	67
		0.46	70	72	69	65	61	57	52	47	67
		0.00	85	84	85	83	80	77	71	66	85
	1150	0.81	84	83	84	82	79	75	70	65	84
		1.20	84	84	84	81	78	74	69	65	84
		1.52	84	84	85	83	79	75	70	65	84
		1.69	84	85	86	83	79	75	71	66	85
		0.00	97	92	93	94	91	89	84	79	96
		1.87	95	91	93	93	89	87	82	77	95
	1750	2.78	95	92	93	94	89	86	81	77	95
		3.53	94	93	94	94	90	86	82	77	96
		3.91	93	93	94	95	90	87	83	78	96
		0.01	100	96	96	97	94	92	88	82	99
		2.44	98	95	96	96	93	90	86	81	98
		3.63	98	96	96	97	92	89	85	80	98
	2000	4.60	97	96	97	97	94	90	86	81	99
		5.10	96	96	97	98	94	90	86	82	99
		0.01	103	100	99	100	98	95	91	86	103
		3.17	101	99	99	99	96	93	90	85	101
		4.73	101	99	99	99	96	93	89	84	101
		5.99	100	99	100	100	97	94	90	85	102
222-MV	600	6.64	99	99	100	101	98	94	90	85	103
		0.00	74	70	68	65	61	56	51	46	67
		0.20	73	70	68	64	61	55	50	45	66
		0.31	73	71	68	64	60	55	50	45	66
		0.40	72	72	69	64	61	57	52	46	67
		0.44	72	73	70	65	61	58	53	47	68
	1150	0.00	85	84	84	82	79	75	70	65	84
		0.74	85	84	84	81	78	74	69	64	83
		1.15	85	84	84	81	78	74	69	63	83
		1.46	85	85	85	82	78	74	69	64	84
		1.61	85	85	86	83	79	75	70	64	84
		0.00	97	92	93	93	90	87	82	77	95
	1750	1.71	96	92	93	93	89	86	81	76	95
		2.66	96	93	94	93	88	86	81	76	95
		3.38	95	93	94	94	89	86	82	76	95
		3.73	95	93	94	95	90	86	82	77	96
		0.00	100	96	96	96	93	91	86	81	99
		2.23	99	96	96	96	92	90	85	80	98
	2000	3.47	99	96	96	96	92	89	85	80	98
		4.42	98	96	97	97	93	90	85	80	99
		4.87	98	96	97	98	94	90	86	81	99
		0.00	103	100	99	99	97	94	90	85	102
		2.90	102	99	99	99	96	93	89	84	101
		4.52	102	100	99	99	96	93	88	83	101
2282	5.75	101	100	100	100	97	93	89	84	102	
	6.34	101	99	100	100	98	93	90	85	102	
	0.00	74	70	67	64	60	55	50	46	66	
	0.20	74	70	68	64	60	55	49	44	66	
	0.31	74	71	68	64	60	55	50	45	66	
	0.38	73	72	70	64	61	57	52	46	67	
222-HV	600	0.41	73	73	71	64	61	58	53	48	68
		0.00	85	84	84	81	78	74	69	64	84
		0.72	85	84	84	81	78	73	68	63	83
		1.12	85	84	84	81	78	73	68	63	83
		1.40	85	85	85	82	78	74	69	63	84
		1.52	85	85	85	82	78	74	69	64	84
	1150	0.01	98	92	93	93	89	86	81	76	95
		1.66	97	92	93	93	88	86	80	75	94
		2.60	97	93	94	93	88	86	80	75	94
		3.24	96	93	94	94	89	86	81	75	95
		3.52	96	93	94	95	90	86	82	76	95
		0.01	101	96	96	96	93	90	85	80	98
	1750	2.17	100	96	96	96	92	89	84	79	98
		3.39	100	96	97	96	92	89	84	79	98
		4.23	99	97	97	97	93	90	85	79	98
		4.60	99	96	97	98	93	90	85	80	99
		0.01	103	100	99	99	96	93	89	84	101
		2.83	103	100	99	99	96	92	88	83	101
	2000	4.42	103	100	99	99	96	92	88	83	101
		5.51	102	100	100	100	97	93	89	83	102
		5.99	102	100	100	100	97	93	89	84	102
		0.00	71	67	66	65	62	59	57	55	68
		0.20	73	69	67	66	62	59	56	54	68
		0.31	75	71	69	67	63	60	57	55	69
1150	0.38	78	74	71	68	64	61	59	57	71	
	0.41	80	77	72	70	66	62	60	58	72	
	0.00	84	84	81	80	79	76	73	71	84	
	0.72	84	84	82	80	79	75	72	70	84	
	1.12	84	85	83	81	79	75	72	70	84	
	1.40	86	87	84	82	79	75	72	70	84	
1750	1.52	87	88	85	82	80	75	73	71	85	
	0.01	95	92	92	89	89	88	83	81	94	
	1.66	95	92	93	89	89	87	83	80	94	
	2.60	96	92	94	90	90	87	82	80	95	
	3.24	96	94	96	91	90	87	83	80	95	
	3.52	97	95	97	92	91	87	83	81	96	
2000	0.01	98	95	96	92	92	91	87	85	97	
	2.17	98	95	96	93	92	90	86	84	97	
	3.39	99	96	97	94	93	90	86	83	98	
	4.23	99	97	99	95	93	91	86	84	99	
	4.60	100	98	100	96	94	91	87	84	99	
	0.01	100	99	99	96	95	94	91	88	101	
2282	2.83	101	99	99	96	95	94	90	87	101	
	4.42	102	99	100	97	96	94	90	87	101	
	5.51	102	101	102	99	96	94	90	87	102	
	5.99	103	102	103	100	97	94	90	87	103	

The sound power level ratings shown are in decibels referred to 10⁻¹² watts calculated per AMCA Standard 301. The A-weighted sound ratings shown have been calculated per AMCA Standard 301. Values shown are for inlet LWi and inlet LWiA sound power levels for installation Type A: Free inlet, Free outlet. Ratings do not include the effects of duct. Values shown are for outlet LWo and outlet LWoA sound power levels for installation Type A: Free inlet, Free outlet. Ratings do not include the effects of duct.

222 SOUND PERFORMANCE (PART 2 OF 2)

Model	RPM	Nominal Ps	INLET SOUND POWER BY OCTAVE BANDS dB Lwi								LwiA
			63	125	250	500	1000	2000	4000	8000	
222-XV	600	0.00	75	70	67	63	59	54	49	45	65
		0.19	75	70	68	64	60	54	49	43	66
		0.29	75	71	69	64	60	55	50	44	66
		0.35	74	73	71	64	60	57	52	46	67
		0.38	74	74	72	64	61	59	54	48	68
		0.00	86	84	84	81	77	73	68	63	83
	1150	0.71	86	84	84	81	77	73	67	62	83
		1.06	86	84	84	81	77	73	67	62	83
		1.28	86	85	85	82	78	74	68	62	83
		1.38	85	84	85	82	78	74	68	63	84
		0.01	98	93	94	92	88	85	80	75	94
		1.65	98	93	94	93	88	85	80	74	94
	1750	2.46	98	93	94	93	88	86	80	74	94
		2.96	97	93	94	94	89	86	80	75	95
		3.19	97	93	94	94	89	86	81	75	95
		0.01	101	97	96	95	92	89	84	79	97
		2.16	101	97	97	96	92	89	84	78	97
		3.21	101	97	97	96	92	89	84	78	98
	2000	3.86	100	97	97	97	92	90	84	79	98
		4.17	100	96	97	97	93	89	85	79	99
		0.01	104	100	99	99	96	92	88	83	101
		2.81	104	101	99	99	96	92	87	82	101
		4.19	104	101	100	99	96	92	88	82	101
		5.03	103	100	100	100	96	93	88	83	101
2282	5.43	103	100	100	100	97	93	89	83	102	

Model	RPM	Nominal Ps	OUTLET SOUND POWER BY OCTAVE BANDS dB Lwo								LwoA
			63	125	250	500	1000	2000	4000	8000	
222-XV	600	0.00	73	68	66	64	61	58	56	55	67
		0.19	76	70	68	66	62	59	56	54	68
		0.29	78	73	70	68	64	60	58	55	70
		0.35	81	76	72	70	66	62	60	57	72
		0.38	84	80	75	72	68	64	62	59	74
		0.00	85	86	81	80	78	75	72	70	83
	1150	0.71	86	86	82	80	78	75	72	69	83
		1.06	86	87	83	81	79	75	72	69	84
		1.28	87	88	84	82	79	75	72	70	84
		1.38	88	89	85	82	80	76	73	71	85
		0.01	96	94	93	89	89	87	83	81	94
		1.65	97	94	94	90	89	87	82	80	94
	1750	2.46	98	94	94	90	90	87	82	80	95
		2.96	98	95	96	91	90	87	83	80	95
		3.19	99	97	98	92	91	88	83	81	96
		0.01	99	97	96	93	92	90	86	84	97
		2.16	100	98	97	93	92	90	86	83	97
		3.21	101	98	98	94	93	90	86	83	98
	2000	3.86	101	99	99	95	93	90	86	84	99
		4.17	102	100	101	96	94	91	87	84	100
		0.01	102	100	100	96	95	93	90	87	100
		2.81	103	101	100	97	95	93	90	87	101
		4.19	103	101	101	98	96	94	90	87	101
		5.03	104	102	102	99	96	94	90	87	102
2282	5.43	105	103	104	100	97	95	91	88	103	

The sound power level ratings shown are in decibels referred to 10¹² watts calculated per AMCA Standard 301. The A-weighted sound ratings shown have been calculated per AMCA Standard 301. Values shown are for inlet Lwi and inlet LwiA sound power levels for installation Type A: Free inlet, Free outlet. Ratings do not include the effects of duct. Values shown are for outlet Lwo and outlet LwoA sound power levels for installation Type A: Free inlet, Free outlet. Ratings do not include the effects of duct.

245 SOUND PERFORMANCE (PART 1 OF 2)

Model	RPM	Nominal Ps	INLET SOUND POWER BY OCTAVE BANDS dB Lwi							LwiA	
			63	125	250	500	1000	2000	4000		8000
245-LV	500	0.00	71	70	68	65	61	55	51	47	67
		0.23	70	69	66	64	59	53	48	43	65
		0.34	69	69	66	64	58	52	47	41	64
		0.44	69	69	65	63	57	51	45	40	64
		0.50	69	69	65	63	57	51	45	39	64
		0.01	89	85	89	86	84	80	74	70	89
	1150	1.21	87	83	87	84	83	78	72	67	87
		1.79	87	83	88	84	83	77	71	66	87
		2.31	87	83	88	84	82	76	70	65	87
		2.66	87	84	88	83	82	76	70	64	86
		0.01	95	92	95	93	91	88	82	77	96
		2.06	93	90	93	91	90	86	80	75	94
	1500	3.04	93	90	94	91	89	85	79	74	94
		3.93	93	90	94	91	89	84	78	73	93
		4.52	93	91	94	91	88	84	78	72	93
		0.02	98	97	98	97	95	92	87	82	100
		2.81	97	95	97	95	93	90	85	79	98
		4.14	97	94	97	95	93	90	84	78	98
	1750	5.35	96	95	97	95	92	89	83	77	98
		6.15	96	95	98	96	92	89	83	77	97
		0.02	101	100	101	100	98	96	91	85	103
		3.69	100	99	100	99	96	94	89	83	102
		5.43	100	98	100	99	96	94	88	82	101
		7.02	99	98	100	99	95	93	87	81	101
245-MV	500	8.07	99	98	101	99	95	93	87	81	101
		0.00	70	69	67	65	60	56	53	49	66
		0.21	69	68	65	64	58	54	49	45	65
		0.33	69	68	65	63	58	52	47	42	64
		0.43	69	69	65	63	57	51	46	40	64
		0.49	69	69	65	62	57	51	45	39	63
	1150	0.00	88	85	88	85	84	79	74	71	88
		1.12	87	83	87	84	83	77	73	68	87
		1.72	87	83	87	83	82	77	71	66	87
		2.25	87	83	88	83	82	76	71	65	86
		2.58	87	84	88	83	82	76	70	64	86
		0.00	94	92	94	92	90	87	82	78	95
	1500	1.90	93	90	93	91	89	85	80	76	94
		2.93	93	90	93	91	89	85	79	74	93
		3.83	93	90	94	91	88	84	79	73	93
		4.40	93	91	94	91	88	84	78	72	93
		0.00	98	96	97	96	94	91	87	82	99
		2.58	97	94	96	95	93	90	85	80	98
	1750	3.99	96	95	96	95	92	89	84	79	97
		5.21	97	95	97	95	92	89	83	77	97
		5.98	97	95	97	95	92	89	83	77	97
		0.00	101	100	100	99	97	95	90	86	102
		3.39	99	98	99	98	96	94	89	84	101
		5.23	99	98	99	98	95	93	88	83	101
245-HV	500	6.84	99	99	100	99	95	93	87	82	101
		7.86	100	99	100	99	95	93	87	81	101
		0.00	70	68	66	64	60	56	54	52	66
		0.20	69	68	65	63	58	54	50	46	65
		0.32	69	68	65	63	57	53	48	43	64
		0.41	69	68	65	63	57	52	46	40	64
	1150	0.47	69	68	65	62	57	51	45	39	63
		0.00	88	84	87	84	83	79	75	73	88
		1.05	87	83	86	83	83	77	73	69	86
		1.68	87	83	87	83	82	76	72	67	86
		2.19	87	84	87	83	82	76	71	65	86
		2.48	87	84	87	83	82	76	70	64	86
	1500	0.00	94	91	93	91	90	86	82	79	94
		1.79	93	90	92	90	89	85	80	76	93
		2.86	93	90	93	90	88	84	79	74	93
		3.73	93	91	93	90	88	84	79	73	93
		4.22	93	91	93	90	88	84	78	72	93
		0.00	97	95	96	95	93	91	86	83	98
	1750	2.43	96	94	96	94	92	89	85	81	97
		3.90	96	95	96	94	92	89	84	79	97
		5.07	97	95	96	94	92	89	83	78	97
		5.75	97	95	97	95	92	88	83	77	97
		0.01	100	99	99	98	96	94	90	86	102
		3.19	99	98	99	98	95	94	88	84	101
2005	5.11	99	98	99	98	95	93	88	83	100	
	6.66	100	99	99	98	95	93	87	82	100	
	7.55	100	99	100	98	95	92	87	81	100	
	0.00	66	64	63	63	57	52	48	44	63	
	0.20	68	64	63	63	57	52	47	42	63	
	0.32	69	64	63	62	57	52	47	42	63	
500	0.41	71	65	63	62	57	51	47	42	63	
	0.47	72	65	63	62	57	51	47	42	63	
	0.00	84	80	82	81	82	77	71	67	85	
	1.05	85	81	82	81	82	77	71	66	85	
	1.68	87	83	83	81	82	76	71	66	85	
	2.19	89	84	84	81	81	76	70	66	85	
1150	2.48	89	85	84	81	81	76	70	66	85	
	0.00	90	88	88	87	87	84	79	74	91	
	1.79	91	89	88	87	87	84	79	74	91	
	2.86	93	90	89	87	87	84	79	74	91	
	3.73	95	91	90	88	87	84	78	73	91	
	4.22	95	92	90	88	87	84	78	73	92	
1500	0.00	94	92	91	91	90	89	84	78	95	
	2.43	95	93	91	91	91	89	84	78	95	
	3.90	97	95	92	91	90	89	83	78	95	
	5.07	98	96	93	92	90	88	83	78	95	
	5.75	99	97	94	92	90	88	83	78	95	
	0.01	97	96	94	94	93	93	88	82	98	
1750	3.19	98	97	94	94	93	93	88	82	99	
	5.11	100	98	95	94	93	93	87	82	99	
	6.66	101	100	96	95	93	92	87	82	99	
	7.55	102	101	97	96	93	92	87	81	99	

The sound power level ratings shown are in decibels referred to 10¹² watts calculated per AMCA Standard 301. The A-weighted sound ratings shown have been calculated per AMCA Standard 301. Values shown are for inlet LWi and inlet LWiA sound power levels for installation Type A: Free inlet, Free outlet. Ratings do not include the effects of duct. Values shown are for outlet LWo and outlet LWoA sound power levels for installation Type A: Free inlet, Free outlet. Ratings do not include the effects of duct.

245 SOUND PERFORMANCE (PART 2 OF 2)

Model	RPM	Nominal Ps	INLET SOUND POWER BY OCTAVE BANDS dB Lwi							LwiA	
			63	125	250	500	1000	2000	4000		8000
245-XV	500	0.00	69	68	65	64	59	57	55	54	66
		0.20	69	67	65	63	58	55	51	48	64
		0.32	69	67	64	63	57	53	48	43	64
		0.40	69	68	64	62	57	52	46	40	63
		0.45	70	68	64	62	57	51	45	39	63
		0.00	87	84	86	84	83	78	75	74	87
	1150	1.06	87	83	86	83	82	77	73	70	86
		1.68	87	83	86	83	82	76	72	67	86
		2.13	87	84	87	83	82	76	71	65	86
		2.36	87	84	87	83	81	76	70	64	86
		0.00	93	91	92	90	89	86	82	80	94
		1.81	93	90	92	90	88	85	80	77	93
	1500	2.86	93	90	92	90	88	84	79	75	93
		3.62	93	91	93	90	88	84	79	73	93
		4.02	93	91	93	90	88	84	78	72	93
		0.00	96	95	95	94	92	90	86	84	98
		2.46	96	94	95	94	92	89	84	81	97
		3.89	96	95	96	94	91	89	84	79	97
	1750	4.93	97	95	96	94	91	88	83	78	97
		5.47	97	95	96	94	91	88	83	77	97
		0.00	99	99	98	98	96	94	90	87	101
		3.23	99	98	98	97	95	93	88	85	100
		5.11	99	98	99	98	95	93	87	83	100
		6.47	100	99	99	98	95	93	87	82	100
2005	7.18	100	99	99	98	95	92	87	81	100	

Model	RPM	Nominal Ps	OUTLET SOUND POWER BY OCTAVE BANDS dB Lwo							LwoA	
			63	125	250	500	1000	2000	4000		8000
245-XV	500	0.00	66	64	63	63	57	52	48	44	63
		0.20	68	64	63	62	57	52	47	42	63
		0.32	70	65	63	62	57	52	47	42	63
		0.40	72	66	63	62	57	52	47	42	63
		0.45	73	66	64	62	57	51	47	43	63
		0.00	84	81	82	81	82	76	71	67	85
	1150	1.06	86	82	82	81	82	76	71	66	85
		1.68	88	84	83	81	81	76	71	66	85
		2.13	90	85	84	81	81	76	71	66	85
		2.36	91	86	85	82	81	76	70	66	85
		0.00	90	87	88	87	87	84	79	74	91
		1.81	92	89	88	87	87	84	79	74	91
	1500	2.86	94	91	89	87	87	84	78	73	91
		3.62	96	92	91	88	87	84	78	73	92
		4.02	97	93	91	89	87	84	78	73	92
		0.00	93	92	91	91	90	89	83	78	95
		2.46	95	93	92	91	90	89	83	78	95
		3.89	97	95	93	91	90	89	83	78	95
	1750	4.93	99	97	94	92	91	89	83	78	96
		5.47	100	98	95	93	91	88	83	78	96
		0.00	96	95	94	94	93	93	87	82	98
		3.23	98	97	95	94	93	93	87	82	98
		5.11	100	99	96	95	93	93	87	82	99
		6.47	102	101	97	96	94	93	87	82	99
2005	7.18	103	102	98	96	94	92	87	82	99	

The sound power level ratings shown are in decibels referred to 10¹² watts calculated per AMCA Standard 301. The A-weighted sound ratings shown have been calculated per AMCA Standard 301. Values shown are for inlet Lwi and inlet LwiA sound power levels for installation Type A: Free inlet, Free outlet. Ratings do not include the effects of duct. Values shown are for outlet Lwo and outlet LwoA sound power levels for installation Type A: Free inlet, Free outlet. Ratings do not include the effects of duct.

270 SOUND PERFORMANCE (PART 1 OF 2)

Model	RPM	Nominal Ps	INLET SOUND POWER BY OCTAVE BANDS dB Lwi							LwiA	
			63	125	250	500	1000	2000	4000		8000
270-LV	500	0.00	74	73	71	68	64	58	54	50	70
		0.28	72	72	69	67	62	56	51	46	68
		0.41	72	72	69	67	61	55	50	44	67
		0.53	72	72	68	66	60	54	48	43	67
		0.61	72	72	68	66	60	54	48	42	67
		0.00	80	81	81	79	75	70	65	61	81
	750	0.63	78	80	79	78	74	68	63	58	79
		0.92	78	80	79	77	73	67	62	56	78
		1.19	78	80	79	77	72	66	61	55	78
		1.36	78	81	79	76	72	66	60	54	78
		0.01	92	88	92	89	87	83	77	73	92
		1.47	90	86	90	87	86	81	75	70	90
	1150	2.17	90	86	91	87	86	80	74	69	90
		2.80	90	86	91	87	85	79	73	68	90
		3.20	90	87	91	86	85	79	73	67	89
		0.01	98	95	98	96	94	90	85	80	99
		2.51	96	93	96	94	93	89	83	78	97
		3.69	96	93	97	94	92	88	82	77	97
	1500	4.77	96	93	97	94	92	87	81	76	96
		5.45	96	93	97	94	91	87	81	75	96
		0.02	102	100	101	100	98	95	90	85	103
		3.53	100	98	100	99	96	94	88	83	101
		5.20	100	98	100	99	96	93	87	82	101
		6.72	100	98	101	99	96	93	87	81	101
270-MV	500	7.68	100	98	101	99	95	92	86	80	101
		0.00	73	72	69	67	63	59	56	54	69
		0.24	72	71	68	66	61	57	53	49	68
		0.39	72	71	68	66	60	56	50	45	67
		0.51	72	71	68	66	60	54	49	43	67
		0.58	72	71	68	65	60	54	48	42	66
	750	0.00	79	80	79	78	74	70	67	64	80
		0.55	78	79	78	77	73	68	64	60	78
		0.87	78	79	78	76	72	67	62	57	78
		1.14	78	80	78	76	72	66	61	55	77
		1.30	79	80	78	76	72	66	60	54	77
		0.00	91	87	90	88	86	82	78	75	91
	1150	1.30	90	86	90	86	86	80	76	72	90
		2.05	90	86	90	86	85	80	75	70	89
		2.69	90	87	90	86	85	79	74	68	89
		3.05	90	87	90	86	85	79	73	67	89
		0.00	97	94	96	94	93	89	85	82	97
		2.20	96	93	95	93	92	88	83	79	96
	1500	3.49	96	93	96	93	91	87	82	77	96
		4.57	96	94	96	93	91	87	82	76	96
		5.19	96	94	96	93	91	87	81	75	96
		0.00	101	99	100	99	97	94	90	86	102
		3.10	100	98	99	98	96	93	88	84	101
		4.92	100	98	99	98	95	93	87	82	100
1780	6.44	100	98	100	98	95	92	87	81	100	
	7.31	100	98	100	98	95	92	86	80	100	
	0.00	72	70	68	67	62	60	58	57	69	
	0.25	72	70	67	66	61	58	54	51	67	
	0.38	72	70	67	65	60	56	51	46	67	
	0.48	72	71	67	65	60	55	49	43	66	
270-HV	500	0.53	73	71	67	65	60	54	48	42	66
		0.00	78	79	78	77	74	70	68	67	79
		0.55	78	79	77	76	72	68	65	62	78
		0.87	78	79	77	76	72	67	63	58	77
		1.08	79	79	78	76	72	67	61	56	77
		1.19	79	80	78	76	72	66	60	54	77
	750	0.00	90	87	89	86	86	81	78	77	90
		1.30	90	86	89	85	85	80	76	73	89
		2.03	90	86	89	85	85	79	75	70	89
		2.54	90	87	89	86	84	79	74	68	89
		2.79	90	87	90	86	84	79	73	67	89
		0.01	96	94	95	93	92	89	85	83	97
	1150	2.21	96	93	95	92	91	87	83	80	96
		3.46	96	93	95	93	91	87	82	78	95
		4.32	96	94	95	93	91	87	82	76	95
		4.75	96	94	96	93	91	87	81	75	95
		0.01	100	98	99	97	96	93	89	87	101
		3.12	99	98	98	97	95	92	88	85	100
	1500	4.87	100	98	99	97	95	92	87	83	100
		6.09	100	98	99	97	95	92	87	81	100
		6.69	100	99	99	98	95	92	86	81	100

Model	RPM	Nominal Ps	OUTLET SOUND POWER BY OCTAVE BANDS dB Lwo							LwoA	
			63	125	250	500	1000	2000	4000		8000
270-LV	500	0.00	71	67	66	66	61	55	50	46	67
		0.28	69	67	67	67	61	56	51	46	67
		0.41	70	66	66	66	60	55	50	45	66
		0.53	71	66	65	65	59	54	50	45	65
		0.61	72	66	65	64	59	54	49	45	65
		0.00	76	75	75	76	73	67	62	57	77
	750	0.63	75	75	75	76	73	68	62	57	78
		0.92	75	75	75	75	72	67	62	57	77
		1.19	77	75	74	75	71	66	61	57	76
		1.36	77	76	74	74	71	65	61	57	76
		0.01	89	83	85	84	85	80	74	69	88
		1.47	87	83	85	84	86	81	75	70	89
	1150	2.17	88	83	85	84	85	80	74	69	88
		2.80	89	84	85	83	84	79	73	69	87
		3.20	90	85	85	83	83	78	73	68	87
		0.01	95	91	91	90	91	88	82	77	95
		2.51	93	90	91	90	91	88	83	77	95
		3.69	94	91	91	90	90	87	82	77	94
	1500	4.77	95	92	91	89	90	86	81	76	94
		5.45	96	92	91	89	89	86	80	76	93
		0.02	99	96	94	94	94	93	87	82	99
		3.53	97	95	94	94	94	93	88	82	99
		5.20	98	96	94	94	94	92	87	82	98
		6.72	99	97	94	94	93	91	86	81	98
270-MV	500	7.68	99	97	94	93	93	91	85	80	97
		0.00	70	67	66	66	60	55	51	46	66
		0.24	70	67	66	66	61	55	50	45	66
		0.39	72	67	66	65	60	55	50	45	66
		0.51	73	68	66	65	60	54	50	45	66
		0.58	74	68	66	65	59	54	50	45	66
	750	0.00	75	75	75	75	72	67	62	58	77
		0.55	76	76	75	75	73	67	62	57	77
		0.87	77	77	75	75	72	67	61	57	77
		1.14	79	77	75	75	72	66	61	57	76
		1.30	80	78	76	75	71	66	61	57	76
		0.00	88	83	85	84	85	80	74	70	88
	1150	1.30	88	84	85	84	85	80	74	69	88
		2.05	90	85	85	84	85	79	74	69	88
		2.69	91	86	86	84	84	79	73	69	88
		3.05	92	87	87	84	84	79	73	69	88
		0.00	94	91	91	90	90	87	82	77	94
		2.20	94	91	91	90	91	88	82	77	94
	1500	3.49	96	93	92	90	90	87	82	77	94
		4.57	97	94	92	90	90	87	81	76	94
		5.19	98	95	93	91	90	86	81	76	94
		0.00	97	95	95	94	94	92	87	82	99
		3.10	98	96	95	94	94	93	87	82	99
		4.92	100	98	95	94	94	92	87	81	99
1780	6.44	101	99	96	95	94	92	86	81	99	
	7.31	102	100	97	95	93	92	86	81	99	
	0.00	68	67	66	65	60	55	51	47	66	
	0.25	71	66	66	65	60	55	50	45	66	
	0.38	73	68	66	65	60	54	50	45	66	
	0.48	75	69	66	65	60	54	50	45	66	
270-HV	500	0.53	76	69	67	65	60	54	50	46	66
		0.00	75	75	75	75	72	67	62	58	77
		0.55	77	76	75	75	72	66	61	57	77
		0.87	79	78	75	75	72	66	61	57	77
		1.08	81	79	76	75	72	66	61	57	77
		1.19	81	80	77	75	72	66	61	57	77
	750	0.00	86	84	85	84	85	79	74	70	88
		1.30	89	85	85	84	84	79	74	69	88
		2.03	91	87	86	84	84	79	74	69	88
		2.54	93	88	88	85	84	79	73	69	88
		2.79	94	89	88	85	84	79	73	69	88
		0.01	92	90	91	90	90	87	82	77	94
	1150	2.21	95	92	91	90	90	87	82	76	94
		3.46	97	94	92	91	90	87	81	76	94
		4.32	99	96	94	91	90	87	81	76	95
		4.75	100	97	94	92	90	87	81	76	95
		0.01	96	95	95	94	93	92	87	82	98
		3.12	99	97	95	94	93	92	87	81	98
	1500	4.87	101	99	96	95	94	92	87	81	99
		6.09	103	101	98	96	94	92	87	81	99
		6.69	103								

270 SOUND PERFORMANCE (PART 2 OF 2)

Model	RPM	Nominal Ps	INLET SOUND POWER BY OCTAVE BANDS dB Lwi								LwiA
			63	125	250	500	1000	2000	4000	8000	
270-XV	500	0.00	72	70	67	66	62	60	60	59	69
		0.24	72	70	67	65	61	58	55	52	67
		0.36	72	70	67	65	60	56	52	47	66
		0.43	72	70	67	65	60	55	49	44	66
		0.47	73	70	67	65	60	54	48	42	66
	750	0.00	78	78	77	76	73	70	69	68	79
		0.54	78	78	77	76	72	68	66	63	78
		0.81	78	79	77	76	72	67	63	59	77
		0.97	79	79	77	75	72	67	61	56	77
		1.07	79	79	77	75	71	66	60	54	77
	1150	0.00	89	86	88	85	85	80	78	78	90
		1.28	90	86	88	85	85	79	77	74	89
		1.90	90	87	89	85	84	79	75	71	88
		2.29	90	87	89	85	84	79	74	69	88
		2.51	90	87	89	85	84	79	74	67	88
	1500	0.00	95	93	94	92	91	88	85	84	96
		2.18	96	93	94	92	91	87	83	81	95
		3.22	96	94	95	92	91	87	82	78	95
		3.90	96	94	95	92	91	87	82	76	95
		4.27	96	94	95	92	90	87	81	76	95
1780	0.00	99	98	98	97	95	93	89	88	100	
	3.07	99	98	98	97	94	92	88	85	100	
	4.54	100	98	98	97	94	92	87	83	100	
	5.49	100	98	99	97	94	92	87	82	100	
	6.02	100	99	99	97	94	92	86	81	100	

Model	RPM	Nominal Ps	OUTLET SOUND POWER BY OCTAVE BANDS dB Lwo								LwoA
			63	125	250	500	1000	2000	4000	8000	
270-XV	500	0.00	68	67	66	65	60	55	51	47	66
		0.24	71	66	66	65	60	54	50	45	66
		0.36	74	68	66	65	60	54	50	45	66
		0.43	76	70	67	65	60	55	50	45	66
		0.47	77	70	67	66	60	55	50	46	67
	750	0.00	75	75	75	75	72	66	62	58	76
		0.54	78	77	75	75	72	66	61	57	76
		0.81	80	79	76	75	72	66	61	57	77
		0.97	82	80	77	76	72	67	62	57	77
		1.07	83	81	77	76	72	67	62	57	77
	1150	0.00	86	84	85	83	84	79	74	70	88
		1.28	89	86	85	83	84	79	73	69	87
		1.90	92	88	86	84	84	79	73	69	88
		2.29	94	89	88	85	85	79	74	69	89
		2.51	95	90	89	85	85	79	74	69	89
	1500	0.00	91	90	91	90	90	87	82	77	94
		2.18	95	93	91	90	90	87	81	76	94
		3.22	98	95	93	91	90	87	81	76	95
		3.90	100	97	95	92	91	87	82	77	95
		4.27	101	98	95	92	91	87	82	77	96
1780	0.00	95	94	95	94	93	92	87	82	98	
	3.07	99	97	95	94	93	92	86	81	98	
	4.54	102	100	97	95	94	92	86	81	99	
	5.49	104	102	99	96	94	92	87	81	100	
	6.02	105	103	99	97	95	92	87	82	100	

The sound power level ratings shown are in decibels referred to 10¹² watts calculated per AMCA Standard 301. The A-weighted sound ratings shown have been calculated per AMCA Standard 301. Values shown are for inlet Lwi and inlet LwiA sound power levels for installation Type A: Free inlet, Free outlet. Ratings do not include the effects of duct. Values shown are for outlet Lwo and outlet LwoA sound power levels for installation Type A: Free inlet, Free outlet. Ratings do not include the effects of duct.

300 SOUND PERFORMANCE (PART 1 OF 2)

Model	RPM	Nominal Ps	INLET SOUND POWER BY OCTAVE BANDS dB Lwi								LwiA	
			63	125	250	500	1000	2000	4000	8000		
300-LV	450	0.00	75	74	71	69	64	58	54	50	70	
		0.28	73	72	70	67	62	56	51	46	68	
		0.41	73	72	69	67	61	55	50	44	68	
		0.53	73	72	69	66	60	54	48	43	67	
		0.61	73	72	69	66	60	54	48	42	67	
		0.00	83	84	84	82	79	73	68	64	84	
	750	0.77	81	83	82	81	77	71	66	61	82	
		1.14	81	83	82	80	76	70	65	59	82	
		1.47	81	83	82	80	76	70	64	58	81	
		1.68	82	84	82	80	75	69	63	57	81	
		0.01	95	91	95	92	91	86	80	76	95	
		1.82	94	89	94	90	90	84	78	73	94	
	1150	2.68	93	89	94	90	89	83	77	72	93	
		3.46	93	89	94	90	89	82	77	71	93	
		3.96	93	90	95	90	88	82	76	70	93	
		0.02	101	98	101	99	97	94	88	83	102	
		3.09	100	96	100	97	96	92	86	81	100	
		4.56	99	96	100	97	95	91	85	80	100	
	1500	5.89	99	96	100	97	95	91	85	79	100	
		6.73	99	97	101	97	95	90	84	78	100	
		0.02	103	101	103	101	99	96	91	86	104	
		3.62	101	98	101	99	98	94	89	83	102	
		5.33	101	98	101	99	97	94	88	82	102	
		6.89	101	99	102	99	97	93	87	81	102	
	300-MV	450	7.87	101	99	102	99	96	93	86	80	102
			0.00	74	72	70	67	63	60	58	55	69
			0.24	73	71	69	66	61	57	54	50	68
			0.39	73	71	68	66	61	56	51	46	67
			0.50	73	71	68	66	60	55	49	43	67
			0.57	73	71	68	65	60	54	48	42	66
750		0.00	82	83	82	81	77	73	70	68	83	
		0.67	81	82	81	80	76	71	68	64	81	
		1.07	81	82	81	79	75	70	66	61	81	
		1.39	82	83	81	79	75	70	64	59	81	
		1.57	82	83	81	79	75	69	63	57	80	
		0.00	94	90	93	90	89	85	81	79	94	
1150		1.57	93	89	93	89	89	83	79	75	93	
		2.52	93	89	93	89	88	83	78	73	92	
		3.28	93	90	93	89	88	82	77	71	92	
		3.70	94	90	93	89	88	82	76	70	92	
		0.00	100	97	99	97	96	92	88	85	100	
		2.67	99	96	98	96	95	91	86	83	99	
1500		4.29	99	96	99	96	94	91	85	81	99	
		5.58	99	97	99	96	94	90	85	79	99	
		6.29	99	97	99	96	94	90	84	78	99	
		0.00	101	99	101	99	97	95	90	87	102	
		3.12	101	98	100	98	97	93	89	85	101	
		5.01	101	99	100	98	96	93	88	83	101	
300-HV		450	6.52	101	99	101	98	96	92	87	82	101
			7.35	101	99	101	99	96	92	87	81	101
			0.00	73	71	69	67	63	60	59	58	69
			0.25	73	70	68	66	61	58	55	52	68
			0.38	73	71	68	65	60	56	51	47	67
			0.48	73	71	68	65	60	55	49	44	67
	750	0.53	73	71	68	65	60	54	48	42	66	
		0.00	82	82	81	80	77	73	71	70	82	
		0.69	81	82	81	79	75	71	68	65	81	
		1.07	82	82	81	79	75	71	66	61	81	
		1.33	82	83	81	79	75	70	64	59	80	
		1.46	82	83	81	79	75	69	64	57	80	
	1150	0.00	93	90	92	89	89	84	81	80	93	
		1.61	93	89	92	89	88	83	80	76	92	
		2.51	93	90	92	89	88	82	78	73	92	
		3.13	93	90	93	89	88	82	77	72	92	
		3.43	94	90	93	89	88	82	77	71	92	
		0.00	99	97	98	96	95	92	88	86	100	
	1500	2.74	99	96	98	96	94	91	87	83	99	
		4.27	99	97	98	96	94	90	86	81	99	
		5.32	99	97	99	96	94	90	85	79	99	
		5.84	100	97	99	96	94	90	84	79	99	
		0.00	101	99	100	98	97	94	90	88	102	
		3.21	101	98	100	98	96	93	89	85	101	
	1622	5.00	101	99	100	98	96	92	88	83	101	
		6.22	101	99	100	98	96	92	87	82	101	
		6.83	101	99	101	98	96	92	87	81	101	
		0.00	72	67	67	66	61	55	51	46	67	
		0.28	70	67	68	67	61	56	51	46	67	
		0.41	71	67	67	66	60	55	50	46	66	
300-LV	450	0.53	72	67	66	65	59	54	50	46	66	
		0.61	73	67	66	64	59	54	50	46	65	
		0.00	79	78	78	79	76	70	65	60	80	
		0.77	78	78	78	79	76	71	66	61	81	
		1.14	79	78	78	78	76	70	65	60	80	
		1.47	80	78	78	78	75	69	64	60	79	
	750	1.68	80	79	77	77	74	69	64	60	79	
		0.01	92	86	88	87	89	83	77	73	92	
		1.82	91	86	88	88	89	84	78	73	92	
		2.68	91	86	88	87	88	83	77	72	91	
		3.46	92	87	88	86	87	82	76	72	90	
		3.96	93	88	88	86	87	81	76	72	90	
	1150	0.02	99	94	94	93	94	91	85	80	98	
		3.09	97	93	94	93	94	92	86	81	98	
		4.56	97	94	94	93	94	91	85	80	97	
		5.89	98	95	94	93	93	90	84	79	97	
		6.73	99	96	94	92	92	89	84	79	96	
		0.02	100	96	96	95	95	93	88	82	100	
	1500	3.62	98	95	95	95	96	94	88	83	100	
		5.33	99	96	95	95	95	93	87	82	99	
		6.89	100	97	95	94	94	92	86	82	99	
		7.87	101	98	96	94	94	91	86	81	98	
		0.00	70	67	67	66	60	55	51	47	67	
		0.24	71	67	67	66	60	55	50	45	67	
	300-MV	450	0.39	73	68	67	66	60	55	50	45	66
			0.50	75	69	67	65	60	55	50	46	66
			0.57	75	69	67	65	60	54	50	46	66
			0.00	79	78	78	78	76	70	65	61	80
			0.67	80	79	78	79	76	70	65	60	80
			1.07	81	80	78	78	75	70	65	60	80
750		1.39	83	81	79	78	75	69	65	60	80	
		1.57	83	82	79	78	75	69	64	60	80	
		0.00	90	87	88	87	88	83	77	73	91	
		1.57	92	87	88	87	88	83	77	72	91	
		2.52	93	89	89	87	88	82	77	72	91	
		3.28	95	90	90	87	88	82	77	72	91	
1150		3.70	96	91	90	87	87	82	76	72	91	
		0.00	96	94	94	93	93	91	85	80	97	
		2.67	98	95	94	93	94	91	85	80	98	
		4.29	99	96	95	93	93	90	85	80	98	
		5.58	101	98	96	94	93	90	84	80	98	
		6.29	102	98	96	94	93	90	84	79	98	
1500		0.00	98	96	96	95	95	93	87	82	99	
		3.12	99	97	96	95	95	93	87	82	99	
		5.01	101	99	97	95	95	93	87	82	99	
		6.52	103	100	98	96	95	92	87	82	100	
		7.35	103	101	98	96	95	92	87	82	100	
		0.00	69	67	67	66	60	55	51	47	66	
300-LV		450	0.25	72	67	67	65	60	55	50	45	66
			0.38	74	68	67	65	60	55	50	45	66
			0.48	76	69	67	65	60	55	50	46	66
			0.53	77	70	68	65	60	55	50	46	67
			0.00	78	79	78	78	75	70	65	61	80
			0.69	80	79	78	78	75	70	65	60	80
	750	1.07	82	81	79	78	75	70	65	60	80	
		1.33	84	82	80	79	75	70	65	60	80	
		1.46	85	83	80	79	75	70	65	60	80	
		0.00	90	87	88	87	88	83	77	73	91	
		1.61	92	88	88	87	88	82	77	72	91	
		2.51	95	90	89	87	88	82	77	72	91	
	1150	3.13	96	92	91	88	88	82	77	72	91	
		3.43	97	92	92	88	88	82	77	72	92	
		0.00	95	94	94	93	93	90	85	80	97	
		2.74	98	95	94	93	93	90	85	80	97	
		4.27	101	97	96	94	93	90	85	80	98	
		5.32	102	99	97	95	94	90	85	80	98	
	1500	5.84	103	100	98	95	94	90	85	80	98	
		0.00	97	96	96	95	95	93	87	82	99	
		3.21	100	98	96	95	95	92	87	82	99	
		5.00	102	100	97	96	95	92	87	82	100	
		6.22	104	101	99	97	95	92	87	82	100	
		6.83	105	102	99	97	95	92	87	82	100	

The sound power level ratings shown are in decibels referred to 10¹² watts calculated per AMCA Standard 301. The A-weighted sound ratings shown have been calculated per AMCA Standard 301. Values shown are for inlet LWi and inlet LWiA sound power levels for installation Type A: Free inlet, Free outlet. Ratings do

300 SOUND PERFORMANCE (PART 2 OF 2)

Model	RPM	Nominal Ps	INLET SOUND POWER BY OCTAVE BANDS dB Lwi								LwiA
			63	125	250	500	1000	2000	4000	8000	
300-XV	450	0.00	72	70	68	66	62	61	61	61	70
		0.23	73	70	68	65	61	59	56	53	68
		0.34	73	70	68	65	60	57	52	48	67
		0.41	73	70	68	65	60	55	49	44	66
		0.45	74	70	68	65	60	54	48	42	66
		0.00	81	81	80	79	76	73	72	72	82
	750	0.64	81	82	80	79	75	72	69	66	81
		0.94	82	82	80	79	75	71	66	62	80
		1.14	82	82	80	79	75	70	65	59	80
		1.26	82	82	81	79	75	69	64	58	80
		0.00	93	89	91	88	88	83	82	81	93
		1.51	93	89	91	88	88	82	80	77	92
	1150	2.21	93	90	92	88	87	82	79	74	92
		2.67	94	90	92	88	87	82	77	72	92
		2.97	94	90	92	88	87	82	77	71	92
		0.00	98	96	97	95	94	91	88	87	99
		2.57	99	96	97	95	94	90	87	84	98
		3.77	99	97	98	95	94	90	86	82	98
	1500	4.55	99	97	98	95	94	90	85	80	98
		5.04	100	97	98	96	94	90	85	79	98
		0.01	100	98	99	97	96	93	90	89	101
		3.01	100	98	99	97	96	92	89	86	100
		4.41	101	99	99	97	95	92	88	84	100
		5.32	101	99	100	98	95	92	87	82	100
1622	5.90	101	99	100	98	95	92	87	81	100	

Model	RPM	Nominal Ps	OUTLET SOUND POWER BY OCTAVE BANDS dB Lwo								LwoA
			63	125	250	500	1000	2000	4000	8000	
300-XV	450	0.00	68	67	67	65	60	55	51	48	66
		0.23	72	67	66	65	60	54	50	45	66
		0.34	76	69	67	65	60	55	50	45	66
		0.41	77	70	68	66	60	55	50	46	67
		0.45	78	71	68	66	60	55	50	46	67
		0.00	78	79	78	78	75	70	65	62	80
	750	0.64	81	80	78	78	75	69	64	60	79
		0.94	84	82	79	78	75	69	64	60	80
		1.14	85	84	80	79	75	70	65	60	80
		1.26	86	85	81	79	76	70	65	60	81
		0.00	89	87	88	87	87	82	77	73	91
		1.51	93	89	88	87	87	82	76	72	91
	1150	2.21	96	91	90	87	87	82	77	72	91
		2.67	98	93	92	88	88	83	77	72	92
		2.97	98	94	93	89	88	83	77	72	92
		0.00	94	93	94	93	93	90	85	80	97
		2.57	99	96	94	93	93	90	84	79	97
		3.77	102	99	96	94	93	90	85	80	98
	1500	4.55	103	100	98	95	94	90	85	80	99
		5.04	104	101	99	96	94	91	85	80	99
		0.01	96	95	96	95	95	92	87	82	99
		3.01	100	98	96	95	94	92	87	82	99
		4.41	103	101	98	96	95	92	87	82	100
		5.32	105	103	100	97	96	93	87	82	101
1622	5.90	106	103	101	98	96	93	87	82	101	

The sound power level ratings shown are in decibels referred to 10¹² watts calculated per AMCA Standard 301. The A-weighted sound ratings shown have been calculated per AMCA Standard 301. Values shown are for inlet Lwi and inlet LwiA sound power levels for installation Type A: Free inlet, Free outlet. Ratings do not include the effects of duct. Values shown are for outlet Lwo and outlet LwoA sound power levels for installation Type A: Free inlet, Free outlet. Ratings do not include the effects of duct.

330 SOUND PERFORMANCE (PART 1 OF 2)

Model	RPM	Nominal Ps	INLET SOUND POWER BY OCTAVE BANDS dB Lwi							LwiA	
			63	125	250	500	1000	2000	4000		8000
330-LV	450	0.00	78	77	74	72	67	61	57	53	73
		0.34	76	75	73	70	65	59	54	49	71
		0.50	76	75	72	70	64	58	53	47	71
		0.64	76	75	72	69	63	57	51	46	70
		0.73	76	75	72	69	62	56	51	45	70
	750	0.01	86	87	87	85	82	76	71	67	87
		0.94	84	86	85	84	80	74	69	64	85
		1.38	84	86	85	83	79	73	68	62	84
		1.78	84	86	85	83	78	72	67	61	84
		2.04	84	87	85	82	78	72	66	60	84
	1150	0.01	98	94	98	95	93	89	83	79	98
		2.20	96	92	97	93	92	87	81	76	96
		3.24	96	92	97	93	92	86	80	75	96
		4.19	96	92	97	93	91	85	79	74	96
		4.79	96	93	97	92	91	85	79	73	95
	1300	0.02	101	97	100	98	96	93	87	82	101
		2.81	99	95	99	96	95	91	85	80	99
		4.14	99	95	99	96	95	90	84	78	99
5.35		99	95	99	96	94	89	83	77	99	
6.12		99	96	100	96	94	89	83	77	99	
1491	0.02	104	101	104	102	100	96	91	86	105	
	3.70	102	99	102	100	99	95	89	84	103	
	5.45	102	99	103	100	98	94	88	82	103	
	7.04	102	99	103	100	98	93	87	81	102	
	8.05	102	99	103	100	97	93	87	81	102	
330-MV	450	0.00	76	74	72	70	66	63	62	60	72
		0.29	76	73	71	69	64	61	57	54	71
		0.47	76	74	71	69	63	59	54	49	70
		0.59	76	74	71	68	63	58	52	46	69
		0.66	76	74	71	68	63	57	51	45	69
	750	0.00	85	85	84	83	80	76	74	72	85
		0.82	84	85	84	82	79	74	71	68	84
		1.30	84	85	84	82	78	73	69	64	84
		1.65	85	86	84	82	78	73	67	62	83
		1.82	85	86	84	82	78	72	66	60	83
	1150	0.00	96	93	95	93	92	87	84	83	96
		1.92	96	92	95	92	91	86	82	79	95
		3.05	96	93	95	92	91	85	81	76	95
		3.87	96	93	96	92	91	85	80	74	95
		4.28	96	93	96	92	90	85	79	73	95
	1300	0.00	99	96	98	96	95	91	87	85	99
		2.46	99	95	97	95	94	89	86	82	98
		3.90	99	96	98	95	94	89	84	80	98
4.94		99	96	98	95	94	89	84	78	98	
5.47		99	96	98	95	94	88	83	77	98	
1491	0.00	102	100	101	99	98	95	91	89	103	
	3.23	102	99	101	99	97	93	89	86	102	
	5.13	102	99	101	99	97	93	88	84	102	
	6.50	102	100	102	99	97	93	88	82	101	
	7.19	102	100	102	99	97	93	87	81	101	
330-HV	450	0.00	75	73	71	69	65	64	63	63	72
		0.30	76	73	71	68	64	61	58	56	71
		0.44	76	73	71	68	63	59	55	50	70
		0.54	76	73	71	68	63	58	52	47	69
		0.59	76	74	71	68	63	57	51	45	69
	750	0.00	84	85	83	82	79	76	75	74	85
		0.82	84	85	83	82	78	74	72	69	84
		1.23	85	85	83	82	78	73	69	65	83
		1.49	85	85	83	82	78	73	67	62	83
		1.63	85	85	84	82	78	72	67	60	83
	1150	0.00	96	92	94	92	92	87	84	84	96
		1.94	96	92	95	91	91	85	83	80	95
		2.89	96	93	95	91	91	85	81	77	95
		3.51	96	93	95	91	90	85	80	75	95
		3.83	97	93	95	91	90	85	80	73	95
	1300	0.00	98	95	97	95	94	90	87	87	99
		2.47	99	95	97	94	94	89	86	83	98
		3.69	99	96	97	94	94	89	85	80	98
4.48		99	96	98	95	93	88	84	78	98	
4.90		99	96	98	95	93	88	83	77	98	
1491	0.00	101	99	100	98	97	94	91	90	102	
	3.25	102	99	100	98	97	93	89	87	101	
	4.86	102	99	101	98	97	93	88	84	101	
	5.89	102	100	101	98	97	93	88	82	101	
	6.44	102	100	101	98	96	92	87	81	101	

Model	RPM	Nominal Ps	OUTLET SOUND POWER BY OCTAVE BANDS dB Lwo							LwoA	
			63	125	250	500	1000	2000	4000		8000
330-LV	450	0.00	75	70	70	69	64	58	53	49	70
		0.34	73	70	71	70	64	59	54	49	70
		0.50	74	70	70	69	63	58	53	49	69
		0.64	75	70	69	68	62	57	53	49	69
		0.73	76	70	69	67	62	57	53	49	68
	750	0.01	82	81	81	82	79	73	68	63	83
		0.94	81	81	81	82	79	74	68	63	84
		1.38	82	81	81	81	78	73	68	63	83
		1.78	83	81	80	81	77	72	67	63	82
		2.04	83	82	80	80	77	71	67	63	82
	1150	0.01	95	89	91	90	91	86	80	76	94
		2.20	93	89	91	90	92	87	81	76	95
		3.24	94	89	91	90	91	86	80	75	94
		4.19	95	90	91	89	90	85	79	75	93
		4.79	96	91	91	89	90	84	79	75	93
	1300	0.02	98	92	93	93	94	90	84	79	97
		2.81	96	92	93	93	94	90	84	79	98
		4.14	97	92	93	92	94	89	84	79	97
5.35		98	94	93	92	93	88	83	78	96	
6.12		99	94	94	92	92	88	82	78	96	
1491	0.02	101	97	97	96	97	94	88	83	101	
	3.70	99	96	96	96	97	94	89	83	101	
	5.45	100	97	97	96	96	93	88	83	100	
	7.04	101	98	97	95	96	92	87	82	100	
	8.05	102	98	97	95	95	92	86	82	99	
330-MV	450	0.00	72	70	70	69	63	58	54	50	69
		0.29	75	70	70	68	63	58	53	48	69
		0.47	77	71	70	68	63	58	53	48	69
		0.59	79	72	70	68	63	58	53	49	69
		0.66	79	72	70	68	63	58	53	49	69
	750	0.00	81	81	81	81	78	73	68	64	83
		0.82	83	82	81	81	78	73	68	63	83
		1.30	85	84	81	81	78	73	67	63	83
		1.65	86	85	82	81	78	72	67	63	83
		1.82	87	86	83	81	78	72	67	63	83
	1150	0.00	93	90	91	90	91	86	80	76	94
		1.92	95	91	91	90	91	85	80	75	94
		3.05	97	93	92	90	91	85	80	75	94
		3.87	99	94	93	90	91	85	80	75	94
		4.28	99	95	94	91	90	85	79	75	94
	1300	0.00	96	93	94	92	93	89	84	79	97
		2.46	98	94	94	93	93	89	83	79	97
		3.90	100	96	95	93	93	89	83	78	97
4.94		102	97	96	94	93	89	83	79	97	
5.47		102	98	97	94	93	89	83	78	97	
1491	0.00	99	96	97	96	96	93	88	83	100	
	3.23	101	98	97	96	96	93	88	82	100	
	5.13	103	100	98	96	96	93	87	82	100	
	6.50	105	101	99	97	96	93	87	82	101	
	7.19	105	102	100	97	96	93	87	82	101	
330-HV	450	0.00	72	70	70	68	63	58	54	50	69
		0.30	75	70	70	68	63	57	53	48	69
		0.44	78	71	70	68	63	58	53	48	69
		0.54	80	73	71	68	63	58	53	49	70
		0.59	81	73	71	69	63	58	53	49	70
	750	0.00	81	82	81	81	78	73	68	64	83
		0.82	84	83	81	81	78	72	67	63	82
		1.23	86	85	82	81	78	72	67	63	83
		1.49	88	86	83	82	78	73	68	63	83
		1.63	88	87	83	82	78	73	68	63	83
	1150	0.00	92	90	91	90	90	85	80	76	94
		1.94	95	92	91	90	90	85	80	75	94
		2.89	98	94	93	90	90	85	80	75	94
		3.51	100	95	94	91	91	85	80	75	95
		3.83	101	96	95	91	91	86	80	75	95
	1300	0.00	95	93	94	92	93	89	83	79	97
		2.47	98	95	94	92	93	89	83	78	97
		3.69	101	97	95	93	93	89	83	78	97
4.48		103	99	97	94	94	89	83	79	98	
4.90		104	99	98	94	94	89	83	79	98	
1491	0.00	98	96	97	96	96	93	87	83	100	
	3.25	101	99	97	96	96	93	87	82	100	
	4.86	104	101	99	97	96	93	87	82	100	

330 SOUND PERFORMANCE (PART 2 OF 2)

Model	RPM	Nominal Ps	INLET SOUND POWER BY OCTAVE BANDS dB Lwi							LwiA	
			63	125	250	500	1000	2000	4000		8000
330-XV	450	0.02	75	72	71	69	65	64	64	64	73
		0.25	75	73	70	68	64	62	59	57	71
		0.38	76	73	70	68	63	60	55	51	70
		0.46	76	73	71	68	63	58	52	47	69
		0.53	76	73	71	68	63	57	51	45	69
	750	0.06	84	84	83	82	79	76	75	75	85
		0.70	84	84	83	82	78	74	72	70	84
		1.05	85	85	83	81	78	73	69	65	83
		1.29	85	85	83	81	78	73	68	62	83
		1.46	85	85	83	81	78	72	67	60	83
	1150	0.14	95	92	94	91	91	86	85	85	95
		1.65	96	92	94	91	91	85	83	80	95
		2.47	96	93	95	91	90	85	81	77	94
		3.03	96	93	95	91	90	85	80	75	94
		3.43	97	93	95	91	90	85	80	74	94
	1300	0.18	98	95	96	94	94	90	87	87	98
		2.11	98	95	97	94	94	89	86	84	98
		3.16	99	96	97	94	93	88	85	80	97
		3.87	99	96	97	94	93	88	84	78	97
		4.38	99	96	98	94	93	88	83	77	98
1491	0.23	101	99	100	98	97	94	91	90	102	
	2.77	101	99	100	98	96	93	89	87	101	
	4.15	102	100	100	98	96	92	88	84	101	
	5.10	102	100	101	98	96	92	88	82	101	
	5.76	102	100	101	98	96	92	87	82	101	

Model	RPM	Nominal Ps	OUTLET SOUND POWER BY OCTAVE BANDS dB Lwo							LwoA	
			63	125	250	500	1000	2000	4000		8000
330-XV	450	0.02	71	70	69	68	63	58	54	51	69
		0.25	75	70	69	68	62	57	53	48	69
		0.38	79	71	70	68	63	57	53	48	69
		0.46	81	73	71	69	63	58	53	49	70
		0.53	81	74	71	69	63	58	53	49	70
	750	0.06	81	82	81	81	78	73	68	65	82
		0.70	84	83	81	81	77	72	67	62	82
		1.05	87	85	82	81	78	72	67	63	83
		1.29	88	87	83	82	78	73	68	63	83
		1.46	89	88	84	82	79	73	68	63	84
	1150	0.14	91	90	91	89	90	85	80	76	94
		1.65	96	92	91	89	90	85	79	75	93
		2.47	99	94	93	90	90	85	80	75	94
		3.03	101	96	95	91	91	86	80	75	95
		3.43	102	97	96	92	91	86	80	75	95
	1300	0.18	94	93	94	92	93	89	83	79	97
		2.11	98	95	94	92	93	88	83	78	96
		3.16	102	98	96	93	93	89	83	78	97
		3.87	104	99	98	94	94	89	83	79	98
		4.38	104	100	99	95	94	89	84	79	98
1491	0.23	97	96	97	96	96	93	87	83	100	
	2.77	101	99	97	96	96	92	87	82	100	
	4.15	105	102	99	97	96	93	87	82	101	
	5.10	107	103	101	98	97	93	88	83	101	
	5.76	107	104	102	99	97	93	88	83	102	

The sound power level ratings shown are in decibels referred to 10¹² watts calculated per AMCA Standard 301. The A-weighted sound ratings shown have been calculated per AMCA Standard 301. Values shown are for inlet Lwi and inlet LwiA sound power levels for installation Type A: Free inlet, Free outlet. Ratings do not include the effects of duct. Values shown are for outlet Lwo and outlet LwoA sound power levels for installation Type A: Free inlet, Free outlet. Ratings do not include the effects of duct.

365 SOUND PERFORMANCE (PART 1 OF 2)

Model	RPM	Nominal Ps	INLET SOUND POWER BY OCTAVE BANDS dB Lwi								LwiA
			63	125	250	500	1000	2000	4000	8000	
365-LV	400	0.00	80	78	76	72	67	61	56	51	74
		0.33	80	76	74	71	65	59	54	48	72
		0.48	79	76	74	70	64	58	53	47	71
		0.63	80	76	73	69	63	57	52	46	70
		0.72	80	76	73	69	62	57	51	45	70
		0.00	89	88	86	83	79	73	68	62	85
	600	0.75	88	87	84	83	77	71	66	60	83
		1.09	88	87	83	82	76	70	65	59	83
		1.41	88	87	83	82	75	69	64	58	82
		1.62	89	87	83	81	75	69	63	57	82
		0.01	95	94	95	92	89	84	78	73	94
		1.51	93	92	93	91	87	82	76	70	92
	850	2.19	93	92	93	90	87	81	75	70	92
		2.83	93	92	92	90	86	80	74	68	91
		3.25	94	93	92	90	86	79	73	68	91
		0.02	103	100	102	100	97	93	87	82	102
		2.77	102	97	101	98	96	91	85	79	101
		4.00	102	96	101	97	96	90	84	78	100
	1150	5.18	102	97	101	97	95	89	83	77	100
		5.94	103	98	101	97	95	88	82	77	99
		0.02	106	104	105	104	101	97	91	86	106
		3.75	106	101	103	102	100	95	89	84	104
		5.43	105	101	103	101	100	94	88	83	104
		7.02	106	101	104	101	99	94	88	82	103
365-MV	400	8.05	106	102	104	101	99	93	87	81	103
		0.00	78	76	74	71	65	61	57	53	72
		0.28	79	75	73	69	63	58	54	49	71
		0.45	79	75	73	69	63	57	53	48	70
		0.60	79	75	72	68	62	57	51	46	70
		0.68	79	75	72	68	62	56	51	45	69
	600	0.00	87	87	84	82	77	72	68	64	83
		0.64	88	86	83	81	76	70	65	61	82
		1.02	87	86	82	81	75	69	64	59	81
		1.34	88	86	82	80	74	69	63	58	81
		1.53	88	86	82	80	74	68	63	57	81
		0.00	93	93	93	91	87	82	77	73	92
	850	1.28	93	92	92	89	86	80	75	71	91
		2.04	93	92	92	89	85	80	74	69	91
		2.69	93	92	92	89	85	79	73	68	90
		3.07	93	92	91	89	85	79	73	68	90
		0.01	101	99	101	98	96	91	86	82	101
		2.34	102	97	100	97	95	89	84	79	99
	1150	3.73	101	97	100	96	95	89	83	78	99
		4.93	102	98	100	96	94	88	82	77	99
		5.62	102	98	100	96	94	88	82	77	98
		0.01	105	102	104	102	100	96	90	86	104
		3.17	105	101	103	101	99	94	88	83	103
		5.06	105	101	103	100	98	93	87	82	103
1339	6.68	105	101	103	100	98	93	87	82	103	
	7.62	105	102	103	100	98	92	86	81	102	
	0.00	77	75	73	69	64	60	58	55	71	
	0.29	78	74	72	68	62	58	54	50	70	
	0.45	78	74	72	67	62	57	52	48	69	
	0.56	78	74	71	67	61	56	51	47	69	
365-HV	400	0.61	78	74	71	67	61	56	51	46	69
		0.00	86	85	82	81	75	71	68	65	82
		0.66	87	85	81	80	74	69	65	61	81
		1.01	87	85	81	80	74	68	64	59	80
		1.25	87	85	81	80	74	68	63	58	80
		1.36	87	85	81	79	73	68	63	58	80
	600	0.00	92	92	91	89	86	81	77	74	91
		1.32	93	92	91	88	85	79	75	71	90
		2.04	93	92	91	88	84	79	74	69	90
		2.51	93	92	91	88	84	78	73	68	89
		2.74	93	92	91	88	84	78	73	68	89
		0.01	100	98	99	96	95	89	85	82	99
	850	2.42	101	97	99	95	94	88	83	79	98
		3.73	101	97	99	95	94	88	82	78	98
		4.60	101	98	99	95	93	87	82	77	98
		5.01	101	98	99	95	93	87	81	76	98
		0.01	103	101	103	100	99	94	89	86	103
		3.27	104	101	102	99	98	93	87	83	102
	1150	5.05	104	101	102	99	97	92	87	82	102
		6.24	104	102	102	99	97	92	86	81	102
		6.79	104	102	102	99	97	92	86	81	102
		0.00	72	71	71	69	64	60	58	55	70
		0.29	75	70	70	68	63	58	53	48	69
		0.45	77	71	70	68	62	57	53	49	69
365-LV	400	0.56	78	71	70	67	62	57	53	49	69
		0.61	78	71	70	67	62	57	53	49	69
		0.00	81	81	79	80	76	70	66	62	81
		0.66	84	80	78	79	75	69	64	60	80
		1.01	86	81	78	79	74	69	64	60	80
		1.25	86	81	78	79	74	69	64	60	80
	600	1.36	87	81	78	79	74	69	64	60	80
		0.00	88	87	87	87	86	81	76	71	90
		1.32	90	88	87	86	85	79	74	70	89
		2.04	91	89	87	86	85	79	74	70	89
		2.51	92	90	87	86	84	79	74	70	89
		2.74	92	90	87	86	84	79	74	70	89
	850	0.01	95	93	95	93	94	90	84	80	98
		2.42	98	95	94	93	93	88	83	78	97
		3.73	99	95	95	93	93	88	83	78	97
		4.60	100	96	95	93	93	88	82	78	97
		5.01	101	97	95	92	93	88	82	78	97
		0.01	99	97	98	97	98	94	89	84	101
	1150	3.27	102	98	97	96	97	93	87	83	100
		5.05	103	99	98	96	97	93	87	83	100
		6.24	104	100	99	96	97	92	87	82	100
		6.79	104	101	99	96	96	92	87	82	100

The sound power level ratings shown are in decibels referred to 10⁻¹² watts calculated per AMCA Standard 301. The A-weighted sound ratings shown have been calculated per AMCA Standard 301. Values shown are for inlet Lwi and inlet LwiA sound power levels for installation Type A: Free inlet, Free outlet. Ratings do not include the effects of duct. Values shown are for outlet Lwo and outlet LwoA sound power levels for installation Type A: Free inlet, Free outlet. Ratings do not include the effects of duct.

365 SOUND PERFORMANCE (PART 2 OF 2)

Model	RPM	Nominal Ps	INLET SOUND POWER BY OCTAVE BANDS dB Lwi								LwiA
			63	125	250	500	1000	2000	4000	8000	
365-XV	400	0.00	76	74	72	68	63	60	58	56	70
		0.28	78	74	71	67	62	58	54	51	69
		0.41	78	74	71	67	61	57	52	48	69
		0.49	78	73	71	67	61	56	51	47	68
		0.54	78	73	71	67	61	56	51	46	68
		0.00	85	85	81	80	74	70	68	66	81
	600	0.62	87	85	81	80	73	68	65	62	80
		0.91	87	85	81	79	73	68	64	59	80
		1.10	87	85	81	79	73	68	63	58	80
		1.21	87	85	80	79	73	67	63	58	80
		0.00	92	91	91	88	85	80	77	74	90
		1.25	93	92	90	88	84	78	74	71	90
	850	1.83	93	92	90	87	84	78	73	69	89
		2.20	93	92	90	87	84	78	73	68	89
		2.42	93	92	90	87	84	78	73	68	89
		0.01	99	97	99	95	94	88	84	82	98
		2.29	101	98	99	95	94	87	82	79	98
		3.36	101	98	99	95	93	87	82	77	97
	1150	4.04	101	98	99	95	93	87	81	77	97
		4.43	101	98	99	94	93	87	81	76	97
		0.01	103	101	102	99	98	93	88	86	102
		3.10	104	101	102	99	97	92	87	83	102
		4.55	104	102	102	99	97	92	86	82	101
		5.47	104	102	102	99	97	91	86	81	101
1339	6.01	104	102	102	99	97	91	86	81	101	

Model	RPM	Nominal Ps	OUTLET SOUND POWER BY OCTAVE BANDS dB Lwo								LwoA
			63	125	250	500	1000	2000	4000	8000	
365-XV	400	0.00	71	70	70	68	63	58	54	50	69
		0.28	76	70	70	67	62	57	53	48	69
		0.41	78	71	70	67	62	57	53	49	69
		0.49	79	71	70	67	62	57	53	49	69
		0.54	79	71	70	67	62	57	53	49	69
		0.00	80	80	78	80	75	70	65	61	80
	600	0.62	85	80	78	79	74	69	64	59	80
		0.91	87	81	78	79	74	69	64	60	80
		1.10	88	81	79	79	74	69	64	60	80
		1.21	88	82	79	79	74	69	64	60	80
		0.00	87	87	87	87	85	80	75	71	89
		1.25	90	89	87	86	84	79	74	69	88
	850	1.83	92	90	87	86	84	79	74	70	89
		2.20	93	91	88	86	84	79	74	70	89
		2.42	93	91	88	86	84	79	74	70	89
		0.01	94	93	94	93	94	89	83	79	97
		2.29	99	95	94	92	93	88	83	78	96
		3.36	101	96	95	93	93	88	83	78	97
	1150	4.04	102	97	95	93	93	88	83	78	97
		4.43	102	97	96	93	93	88	82	78	97
		0.01	97	96	97	96	97	93	88	84	101
		3.10	102	99	97	96	96	92	87	82	100
		4.55	104	100	99	96	96	92	87	82	100
		5.47	105	101	99	96	96	92	87	83	100
1339	6.01	106	102	99	96	96	92	87	83	101	

The sound power level ratings shown are in decibels referred to 10¹² watts calculated per AMCA Standard 301. The A-weighted sound ratings shown have been calculated per AMCA Standard 301. Values shown are for inlet Lwi and inlet LwiA sound power levels for installation Type A: Free inlet, Free outlet. Ratings do not include the effects of duct. Values shown are for outlet Lwo and outlet LwoA sound power levels for installation Type A: Free inlet, Free outlet. Ratings do not include the effects of duct.

402 SOUND PERFORMANCE (PART 1 OF 2)

Model	RPM	Nominal Ps	INLET SOUND POWER BY OCTAVE BANDS dB Lwi							LwiA	
			63	125	250	500	1000	2000	4000		8000
402-LV	350	0.00	80	78	75	72	66	60	55	50	73
		0.31	80	76	74	70	64	58	53	47	71
		0.45	79	75	74	69	63	57	52	46	70
		0.58	80	75	73	68	62	56	51	45	70
		0.69	80	75	73	67	61	55	50	44	69
		0.00	88	87	84	81	77	71	65	60	83
	500	0.64	87	85	82	80	74	69	63	58	81
		0.92	87	85	82	80	74	68	62	57	80
		1.19	87	85	81	79	73	67	61	56	80
		1.40	88	85	81	79	72	66	60	54	79
		0.01	94	95	95	92	89	83	77	72	94
		1.43	92	93	93	91	87	81	75	70	92
	750	2.07	92	93	92	90	86	80	74	69	91
		2.68	93	93	92	90	85	79	73	68	91
		3.15	93	94	92	89	85	78	72	67	91
		0.02	105	102	104	102	99	95	89	83	104
		3.11	104	99	103	100	98	93	87	81	102
		4.49	104	99	103	99	98	92	86	80	102
	1105	5.81	104	100	103	99	97	91	85	79	101
		6.83	104	100	103	99	97	90	84	78	101
		0.02	106	103	105	103	100	96	90	85	105
		3.36	105	100	104	101	99	94	88	82	103
		4.87	105	99	104	100	99	93	87	81	103
		6.29	105	100	104	100	98	92	86	80	103
402-MV	350	7.40	106	101	104	100	98	91	85	80	102
		0.00	79	76	74	70	65	60	56	51	72
		0.28	79	75	73	69	63	58	53	48	70
		0.43	79	75	73	68	62	57	52	47	70
		0.56	79	74	72	67	61	56	51	45	69
		0.66	79	74	72	67	61	55	50	44	69
	500	0.00	87	86	83	80	75	70	66	61	82
		0.57	87	84	82	79	74	68	63	58	80
		0.87	87	84	81	79	73	67	62	57	80
		1.15	87	84	81	78	72	66	61	56	79
		1.35	87	84	81	78	72	66	60	55	79
		0.00	94	94	93	91	87	82	77	73	93
	750	1.28	92	93	92	90	86	80	75	70	91
		1.97	92	93	91	89	85	79	74	69	91
		2.59	93	93	91	89	84	78	73	68	90
		3.04	93	93	91	89	84	78	72	67	90
		0.01	104	101	103	101	98	94	88	84	103
		2.77	104	99	102	99	97	92	86	81	102
	1105	4.27	103	99	102	98	97	91	85	80	101
		5.63	104	100	102	98	96	90	84	79	101
		6.61	104	100	102	98	96	90	84	78	101
		0.01	105	102	104	102	99	95	89	85	104
		3.00	105	100	103	100	99	93	87	82	103
		4.63	104	100	103	99	98	92	86	81	102
402-HV	350	6.09	105	100	103	99	98	91	85	80	102
		7.16	105	101	103	99	97	91	85	79	102
		0.00	78	75	73	68	63	60	57	54	71
		0.26	78	74	72	67	62	57	53	49	69
		0.42	78	74	72	67	61	56	52	47	69
		0.54	78	73	71	66	61	55	51	46	68
	500	0.60	79	73	71	66	60	55	50	44	68
		0.00	85	84	81	79	74	69	66	63	80
		0.54	86	84	80	78	72	67	63	59	79
		0.86	86	83	80	78	72	66	62	57	79
		1.10	86	83	80	77	71	66	61	56	78
		1.23	86	83	80	77	71	65	60	55	78
	750	0.00	92	93	92	90	86	80	77	74	91
		1.21	92	92	91	89	84	79	74	70	90
		1.93	92	92	90	88	84	78	73	69	90
		2.46	93	93	90	88	84	78	73	68	89
		2.77	93	93	90	88	83	77	72	67	89
		0.01	102	100	102	99	97	92	87	84	101
	1105	2.62	103	100	101	98	96	90	85	81	100
		4.20	103	100	101	97	96	90	84	80	100
		5.35	103	100	101	97	95	89	84	79	100
		6.01	103	100	101	97	95	89	83	78	100
		0.01	103	101	103	100	98	93	88	85	103
		2.84	104	100	102	99	97	91	86	82	102
1150	4.55	104	100	102	98	97	91	85	81	101	
	5.80	104	101	102	98	97	91	85	80	101	
	6.51	104	101	102	98	96	90	84	79	101	

Model	RPM	Nominal Ps	OUTLET SOUND POWER BY OCTAVE BANDS dB Lwo							LwoA	
			63	125	250	500	1000	2000	4000		8000
402-LV	350	0.00	79	73	74	71	65	60	55	50	72
		0.31	74	71	72	69	63	58	53	48	70
		0.45	72	70	71	68	62	57	52	47	69
		0.58	73	70	70	67	61	56	52	47	68
		0.69	73	69	70	66	60	56	51	47	67
		0.00	86	80	81	81	76	70	65	60	82
	500	0.64	81	79	79	79	74	68	63	58	80
		0.92	80	79	78	78	73	67	62	57	79
		1.19	80	78	77	77	72	66	62	57	78
		1.40	81	78	77	76	71	66	61	57	77
		0.01	91	89	89	90	88	82	77	72	92
		1.43	87	87	87	88	86	80	75	70	90
	750	2.07	86	87	87	88	85	79	74	69	89
		2.68	88	87	86	87	84	78	73	69	88
		3.15	88	88	86	86	83	77	73	68	88
		0.02	103	97	98	98	99	94	88	83	102
		3.11	98	94	96	96	97	92	86	81	100
		4.49	97	94	96	95	96	91	85	80	99
	1105	5.81	97	95	96	94	95	90	84	80	98
		6.83	98	96	96	94	94	89	84	79	98
		0.02	104	98	99	99	100	96	89	84	103
		3.36	99	95	97	97	98	93	87	82	101
		4.87	98	94	97	96	97	92	86	81	100
		6.29	98	96	97	95	96	91	85	81	99
402-MV	350	7.40	99	97	97	95	96	90	85	80	99
		0.00	76	72	73	70	64	59	54	50	71
		0.28	74	70	72	68	63	57	52	47	69
		0.43	74	70	71	67	62	57	52	47	69
		0.56	74	70	70	67	61	56	52	47	68
		0.66	75	70	70	66	61	56	52	47	67
	500	0.00	84	80	80	80	75	69	65	60	81
		0.57	82	79	78	78	73	68	63	58	79
		0.87	81	79	78	78	73	67	62	57	78
		1.15	82	79	77	77	72	66	62	57	78
		1.35	83	79	77	77	71	66	62	57	77
		0.00	90	89	89	89	87	82	76	72	91
	750	1.28	88	88	87	88	85	80	74	69	89
		1.97	88	88	87	87	84	79	74	69	89
		2.59	89	88	87	87	84	78	73	69	88
		3.04	90	89	86	86	83	78	73	69	88
		0.01	101	97	97	97	98	93	87	83	101
		2.77	99	95	96	95	96	91	86	81	100
	1105	4.27	98	95	96	95	96	91	85	80	99
		5.63	99	96	96	94	95	90	84	80	98
		6.61	100	97	96	94	95	89	84	79	98
		0.01	102	97	98	98	99	95	88	84	102
		3.00	100	96	97	96	98	93	87	82	101
		4.63	99	96	97	96	97	92	86	81	100
402-HV	350	6.09	100	97	97	95	96	91	85	81	99
		7.16	101	98	97	95	96	90	85	81	99
		0.00	73	71	72	69	63	58	54	50	70
		0.26	75	70	71	67	62	57	52	47	69
		0.42	76	70	71	67	61	57	52	48	68
		0.54	77	70	70	67	61	57	52	48	68
	500	0.60	78	70	70	66	61	56	52	48	68
		0.00	81	79	79	79	74	68	64	60	79
		0.54	83	79	78	78	72	67	62	57	78
		0.86	84	79	78	77	72	67	62	58	78
		1.10	85	79	78	77	72	66	62	58	78
		1.23	86	79	77	77	71	66	62	58	78
	750	0.00	88	88	88	88	86	80	75	71	90
		1.21	89	88	87	87	84	79	74	69	89
		1.93	90	89	87	87	84	79	74	69	89
		2.46	91	90	87	87	84	78	73	69	88
		2.77	92	90	87	87	83	78	73	69	88
		0.01	98	96	97	96	97	92	86	82	100
	1105	2.62	100	96	96	95	95	90	85	80	99
		4.20	101	97	97	95	95	90	85	80	99
		5.35	102	98	97	95	95	90	84	80	98
		6.01	102	99	97	95	95	89	84	80	98
		0.01	99	97	98	97	98	93	87	83	101
		2.84	101	97	97	96	97	92	86	81	100
1150	4.55	102	98	98	96	96	91	86	81	100</	

402 SOUND PERFORMANCE (PART 2 OF 2)

Model	RPM	Nominal Ps	INLET SOUND POWER BY OCTAVE BANDS dB Lwi								LwiA
			63	125	250	500	1000	2000	4000	8000	
402-XV	350	0.00	77	74	72	67	62	60	57	55	70
		0.27	78	73	71	66	61	57	54	50	68
		0.39	78	73	71	66	60	56	52	47	68
		0.48	78	73	71	66	60	55	51	46	68
		0.53	78	73	71	66	60	55	50	45	68
		0.00	84	83	80	78	73	69	66	64	79
	500	0.54	86	83	80	77	71	67	63	60	78
		0.81	86	83	79	77	71	66	61	57	78
		0.97	86	83	79	77	71	65	61	56	78
		1.09	86	83	79	76	71	65	60	55	78
		0.00	92	92	90	89	84	79	76	74	90
		1.22	92	92	90	88	83	78	74	71	89
	750	1.81	92	92	90	88	83	77	73	69	89
		2.19	93	92	90	87	83	77	72	68	89
		2.45	93	92	90	87	83	77	72	67	89
		0.00	101	99	101	98	96	90	86	84	100
		2.66	103	100	101	97	95	89	84	81	100
		3.94	103	100	101	97	95	89	84	79	99
	1105	4.75	103	100	101	97	95	89	83	79	99
		5.31	103	100	101	97	95	89	83	78	99
		0.01	102	100	102	98	97	92	87	85	102
		2.88	104	100	102	98	97	90	85	82	101
		4.26	104	101	102	98	96	90	85	80	101
		5.14	104	101	102	98	96	90	84	80	100
1150	5.75	104	101	102	98	96	90	84	79	100	

Model	RPM	Nominal Ps	OUTLET SOUND POWER BY OCTAVE BANDS dB Lwo								LwoA
			63	125	250	500	1000	2000	4000	8000	
402-XV	350	0.00	71	70	71	68	62	58	54	49	69
		0.27	76	70	70	67	61	57	52	47	68
		0.39	78	70	70	67	61	57	52	48	68
		0.48	79	70	70	66	61	57	52	48	68
		0.53	80	71	70	66	61	57	53	48	68
		0.00	79	79	78	78	73	68	63	59	79
	500	0.54	83	78	77	77	72	67	62	57	78
		0.81	85	79	78	77	72	67	62	58	78
		0.97	86	80	78	77	72	67	62	58	78
		1.09	87	80	78	77	72	66	62	58	78
		0.00	87	88	87	87	85	79	75	71	89
		1.22	90	89	87	87	84	78	74	69	88
	750	1.81	91	90	87	87	84	78	74	69	88
		2.19	92	91	87	87	84	78	74	69	88
		2.45	93	91	87	87	83	78	74	70	88
		0.00	96	95	96	95	96	91	85	81	99
		2.66	100	97	96	95	95	90	85	80	98
		3.94	102	98	97	95	95	90	84	80	99
	1105	4.75	103	99	97	95	95	90	84	80	99
		5.31	104	100	98	95	95	90	84	80	99
		0.01	97	96	97	96	97	92	87	82	100
		2.88	101	98	97	95	96	91	86	81	99
		4.26	103	99	98	96	96	91	86	81	100
		5.14	104	100	98	96	96	91	85	81	100
1150	5.75	105	100	99	96	96	91	85	81	100	

The sound power level ratings shown are in decibels referred to 10¹² watts calculated per AMCA Standard 301. The A-weighted sound ratings shown have been calculated per AMCA Standard 301. Values shown are for inlet Lwi and inlet LwiA sound power levels for installation Type A: Free inlet, Free outlet. Ratings do not include the effects of duct. Values shown are for outlet Lwo and outlet LwoA sound power levels for installation Type A: Free inlet, Free outlet. Ratings do not include the effects of duct.

445 SOUND PERFORMANCE (PART 1 OF 2)

Model	RPM	Nominal Ps	INLET SOUND POWER BY OCTAVE BANDS dB Lwi							LwiA	
			63	125	250	500	1000	2000	4000		8000
445-LV	350	0.00	83	81	78	75	69	63	58	53	76
		0.38	83	79	77	73	67	61	56	50	74
		0.55	82	78	77	72	66	60	55	49	73
		0.71	83	78	76	71	65	59	54	48	73
		0.84	83	78	76	70	64	58	53	47	72
		0.00	91	90	87	84	80	74	68	63	86
	500	0.78	91	88	85	83	78	72	66	61	84
		1.12	90	88	85	83	77	71	65	60	83
		1.45	90	88	85	82	76	70	64	59	83
		1.71	91	88	84	82	75	69	63	58	82
		0.01	98	98	98	95	92	86	80	75	97
		1.75	95	96	96	94	90	84	78	73	95
	750	2.53	95	96	95	93	89	83	77	72	94
		3.27	96	96	95	93	88	82	76	71	94
		3.85	96	97	95	93	88	81	76	70	94
		0.02	105	103	103	102	100	95	89	83	104
		3.11	104	101	103	101	98	93	87	81	103
		4.50	104	100	103	100	98	92	86	80	102
	1000	5.82	104	101	103	100	97	91	85	79	102
		6.84	105	102	103	99	97	90	84	78	101
		0.02	109	106	108	106	103	99	93	88	108
		4.11	108	103	107	104	102	97	91	85	107
		5.95	108	102	107	103	102	96	90	84	106
		7.69	108	103	107	103	101	95	89	83	106
1150	9.05	109	104	107	103	101	94	88	83	105	
	0.00	81	78	77	72	67	63	59	56	74	
	350	0.31	82	77	76	71	65	61	56	52	73
		0.51	82	77	75	70	64	59	55	50	72
	0.67	82	77	75	70	64	59	54	49	72	
	0.77	82	77	75	69	64	58	53	47	71	
500	0.00	89	88	85	83	77	73	69	65	84	
	0.64	89	87	84	82	76	70	66	62	83	
	1.04	89	87	83	81	75	70	65	60	82	
	1.37	90	87	83	81	75	69	64	59	82	
	1.57	90	87	83	80	74	69	63	58	81	
	0.00	96	97	95	93	89	84	80	76	95	
750	1.45	95	96	94	92	88	82	78	73	94	
	2.35	95	96	94	92	87	82	76	72	93	
	3.08	96	96	94	92	87	81	76	71	93	
	3.54	96	96	94	91	87	81	75	70	92	
	0.00	103	102	103	100	98	92	88	84	102	
	2.57	103	101	102	99	97	91	86	81	101	
1000	4.17	103	101	102	99	96	90	85	80	101	
	5.47	104	101	102	98	96	90	84	79	101	
	6.30	104	101	102	98	95	89	84	78	100	
	0.01	107	104	106	103	102	97	91	88	106	
	3.40	107	103	106	102	101	95	89	85	105	
	5.52	107	103	106	102	100	94	89	84	105	
1150	7.23	107	104	106	102	100	94	88	83	104	
	8.33	108	104	106	101	100	94	88	82	104	
	0.00	80	77	75	71	66	63	60	58	73	
	350	0.33	81	76	75	70	64	60	57	53	72
		0.51	81	76	74	69	64	59	55	50	71
	0.62	81	76	74	69	63	58	54	49	71	
0.68	81	76	74	69	63	58	53	48	71		
500	0.00	88	86	84	81	76	72	69	67	83	
	0.68	89	86	83	81	75	70	66	63	82	
	1.03	89	86	83	80	74	69	65	60	81	
	1.26	89	86	82	80	74	69	64	59	81	
	1.39	89	86	82	80	74	68	63	58	81	
	0.00	95	95	94	92	88	83	80	77	94	
750	1.53	95	95	93	91	87	81	77	74	93	
	2.32	95	95	93	91	86	81	76	72	92	
	2.83	96	95	93	91	86	80	75	71	92	
	3.13	96	95	93	90	86	80	75	70	92	
	0.01	102	101	102	99	97	91	87	84	101	
	2.72	103	101	101	98	96	90	85	81	100	
1000	4.12	103	101	101	98	95	89	84	80	100	
	5.03	103	101	101	98	95	89	84	79	100	
	5.56	103	101	101	97	95	89	83	78	100	
	0.01	106	103	105	102	101	95	90	88	105	
	3.60	107	103	105	101	100	94	89	85	104	
	5.45	107	104	105	101	99	93	88	84	104	
1150	6.65	107	104	105	101	99	93	88	83	104	
	7.36	107	104	105	101	99	93	87	82	104	

Model	RPM	Nominal Ps	OUTLET SOUND POWER BY OCTAVE BANDS dB Lwo							LwoA	
			63	125	250	500	1000	2000	4000		8000
445-LV	350	0.00	82	76	77	74	68	63	58	53	75
		0.38	77	74	75	72	66	61	56	51	73
		0.55	75	73	74	71	65	60	55	50	72
		0.71	76	73	73	70	64	59	55	50	71
		0.84	76	72	73	69	63	59	54	50	70
		0.00	89	84	84	84	79	73	68	63	85
	500	0.78	84	82	82	82	77	71	66	61	83
		1.12	83	82	81	81	76	70	65	60	82
		1.45	84	81	80	80	75	69	65	60	81
		1.71	84	81	80	79	74	69	64	60	80
		0.01	94	92	92	93	91	85	80	75	95
		1.75	90	90	90	92	89	83	78	73	93
	750	2.53	89	90	90	91	88	82	77	72	92
		3.27	91	90	89	90	87	81	76	72	91
		3.85	92	91	89	89	86	81	76	71	91
		0.02	103	98	99	99	99	94	88	83	103
		3.11	98	95	97	97	97	92	86	81	100
		4.50	97	95	97	96	96	91	85	80	100
	1000	5.82	98	96	96	95	95	90	85	80	99
		6.84	99	97	96	95	94	89	84	79	98
		0.02	107	101	102	102	103	99	92	87	106
		4.11	102	98	100	100	101	96	90	85	104
		5.95	101	98	100	99	100	95	89	84	103
		7.69	101	99	100	98	99	94	88	84	103
1150	9.05	102	100	100	98	99	93	88	83	102	
	0.00	78	74	75	72	67	62	57	53	73	
	350	0.31	78	73	74	71	65	60	55	50	72
		0.51	78	73	74	70	65	60	55	51	71
	0.67	79	73	73	70	64	59	55	51	71	
	0.77	80	73	73	69	64	59	55	51	71	
500	0.00	85	83	82	82	77	72	67	63	83	
	0.64	86	82	81	81	76	70	65	61	82	
	1.04	86	82	81	81	75	70	65	61	81	
	1.37	87	82	81	80	75	70	65	61	81	
	1.57	88	82	80	80	74	69	65	61	80	
	0.00	92	91	91	92	89	84	79	74	93	
750	1.45	92	91	90	90	88	82	77	72	92	
	2.35	92	92	90	90	87	82	77	72	92	
	3.08	93	92	90	90	87	81	76	72	91	
	3.54	94	93	90	90	86	81	76	72	91	
	0.00	99	97	98	97	97	92	87	82	101	
	2.57	100	97	97	96	96	91	85	81	100	
1000	4.17	100	97	97	96	96	90	85	80	99	
	5.47	101	98	97	96	95	90	85	80	99	
	6.30	102	99	97	95	95	89	84	80	99	
	0.01	103	100	101	100	101	97	91	86	105	
	3.40	104	100	100	99	100	95	89	85	103	
	5.52	104	100	100	99	100	95	89	84	103	
1150	7.23	105	101	101	98	99	94	89	84	103	
	8.33	106	102	101	98	99	93	88	84	102	
	0.00	75	74	74	71	66	61	57	52	72	
	350	0.33	79	73	73	70	65	60	55	50	71
		0.51	80	73	73	70	64	60	55	51	71
	0.62	81	73	73	70	64	60	55	51	71	
0.68	82	73	73	69	64	60	55	51	71		
500	0.00	83	82	81	81	76	71	67	62	82	
	0.68	86	82	81	80	75	70	65	60	81	
	1.03	88	82	81	80	75	70	65	61	81	
	1.26	89	82	81	80	75	70	65	61	81	
	1.39	90	83	81	80	75	69	65	61	81	
	0.00	90	91	90	91	88	83	78	74	92	
750	1.53	93	92	90	90	87	82	77	72	92	
	2.32	94	93	90	90	87	81	77	72	92	
	2.83	95	93	90	90	87	81	77	72	91	
	3.13	95	94	90	90	86	81	77	72	91	
	0.01	97	96	97	96	96	91	86	82	100	
	2.72	100	98	97	96	95	90	85	80	99	
1000	4.12	102	99	97	96	95	90	85	80	99	
	5.03	103	100	98	96	95	90	85	80	99	
	5.56	104	100	98	96	95	90	85	80	99	
	0.01	101	99	101	99	100	95	90	86	103	
	3.60	104	101	100	99	99	94	89	84	103	
	5.45	106	102								

445 SOUND PERFORMANCE (PART 2 OF 2)

Model	RPM	Nominal Ps	INLET SOUND POWER BY OCTAVE BANDS dB Lwi								LwiA
			63	125	250	500	1000	2000	4000	8000	
445-XV	350	0.00	79	76	75	70	65	63	61	59	73
		0.29	81	76	74	69	64	60	57	54	71
		0.42	81	76	74	69	63	59	55	50	71
		0.51	81	76	73	69	63	58	54	49	71
		0.60	81	76	73	68	63	58	53	48	70
		0.00	87	86	83	81	75	71	70	68	82
	500	0.59	88	86	82	80	74	69	66	63	81
		0.86	89	86	82	80	74	69	64	60	81
		1.04	89	85	82	79	74	68	64	59	81
		1.23	89	85	82	79	73	68	63	58	80
		0.00	94	95	93	91	87	82	79	78	93
		1.33	95	95	93	91	86	81	77	74	92
	750	1.93	95	95	93	90	86	80	76	72	92
		2.34	96	95	93	90	86	80	75	71	92
		2.77	96	95	93	90	86	80	75	70	91
		0.00	101	100	101	98	96	90	86	85	100
		2.36	103	101	101	97	95	89	84	81	100
		3.43	103	101	101	97	95	89	84	79	99
	1000	4.15	103	101	101	97	94	89	83	79	99
		4.93	103	101	101	97	94	89	83	78	99
		0.00	105	103	105	101	100	94	90	88	104
		3.12	106	104	105	101	99	93	88	85	104
		4.53	106	104	104	100	99	93	88	83	103
		5.49	107	104	104	100	99	93	87	83	103
1150	6.52	107	104	104	100	98	93	87	82	103	

Model	RPM	Nominal Ps	OUTLET SOUND POWER BY OCTAVE BANDS dB Lwo								LwoA
			63	125	250	500	1000	2000	4000	8000	
445-XV	350	0.00	74	73	74	70	65	61	56	52	72
		0.29	79	73	73	69	64	59	55	50	71
		0.42	81	73	73	70	64	60	55	51	71
		0.51	82	74	73	70	64	60	56	51	71
		0.60	83	74	73	70	64	60	56	52	71
		0.00	81	82	81	80	75	70	66	62	81
	500	0.59	87	81	80	80	75	69	65	60	81
		0.86	89	82	81	80	75	70	65	61	81
		1.04	90	83	81	80	75	70	65	61	81
		1.23	91	83	81	80	75	70	66	62	81
		0.00	90	90	90	90	87	82	77	73	92
		1.33	93	92	90	89	87	81	76	72	91
	750	1.93	95	94	90	90	87	81	77	72	91
		2.34	96	94	90	90	87	81	77	73	92
		2.77	96	95	91	90	87	81	77	73	92
		0.00	96	96	97	96	95	91	85	81	99
		2.36	101	98	97	95	95	90	85	80	99
		3.43	103	100	97	96	95	90	85	80	99
	1000	4.15	104	100	98	96	95	90	85	80	99
		4.93	105	101	98	96	95	90	85	81	99
		0.00	99	99	100	98	99	95	89	85	103
		3.12	105	101	100	98	99	94	89	84	102
		4.53	107	103	101	99	99	94	89	84	103
		5.49	108	103	101	99	99	94	89	84	103
1150	6.52	109	104	102	99	99	94	89	85	103	

The sound power level ratings shown are in decibels referred to 10¹² watts calculated per AMCA Standard 301. The A-weighted sound ratings shown have been calculated per AMCA Standard 301. Values shown are for inlet Lwi and inlet LwiA sound power levels for installation Type A: Free inlet, Free outlet. Ratings do not include the effects of duct. Values shown are for outlet Lwo and outlet LwoA sound power levels for installation Type A: Free inlet, Free outlet. Ratings do not include the effects of duct.

PENNBARRYPRODUCTSOLUTIONS



Commercial

- Roof & wall exhaust centrifugal fans
- Ceiling, wall, & inline centrifugal fans
- Roof supply centrifugal fans
- Square & round centrifugal fans
- Wall mounted axial fans
- Hooded roof axial fans
- Upblast roof axial fans
- Gravity ventilators
- Roof curbs



Industrial

- Freestanding centrifugal fans
- Industrial & material handling fans
- Tubular centrifugal inline fans
- Mixed flow centrifugal fans
- Plug & plenum fans
- Wall mounted propeller fans
- Tube axial fans
- Vane axial fans
- Bifurcator fans
- Lab exhaust



Kitchen ventilation

- Make-up air units
- Exhaust fans



Energy recovery

- Outdoor units
- Indoor units

PennBarry is proud to be your preferred manufacturer of commercial and industrial fans and blowers. Learn how PennBarry can assist you in your next application by contacting your PennBarry Representative or visiting us on the web at www.pennbarry.com

PennBarry | www.pennbarry.com | pennbarrysales@pennbarry.com | Tel 972 212 4700 | Fax 972 212 4702

PennBarry reserves the right to make changes at any time, without notice, to models, construction, specifications, options and availability. This document illustrates the appearance of PennBarry products at the time of publication. View the latest updates on the PennBarry website.

© 2020 PennBarry. All rights reserved. vPlume FEBRUARY 2020.



PENNBARRY™